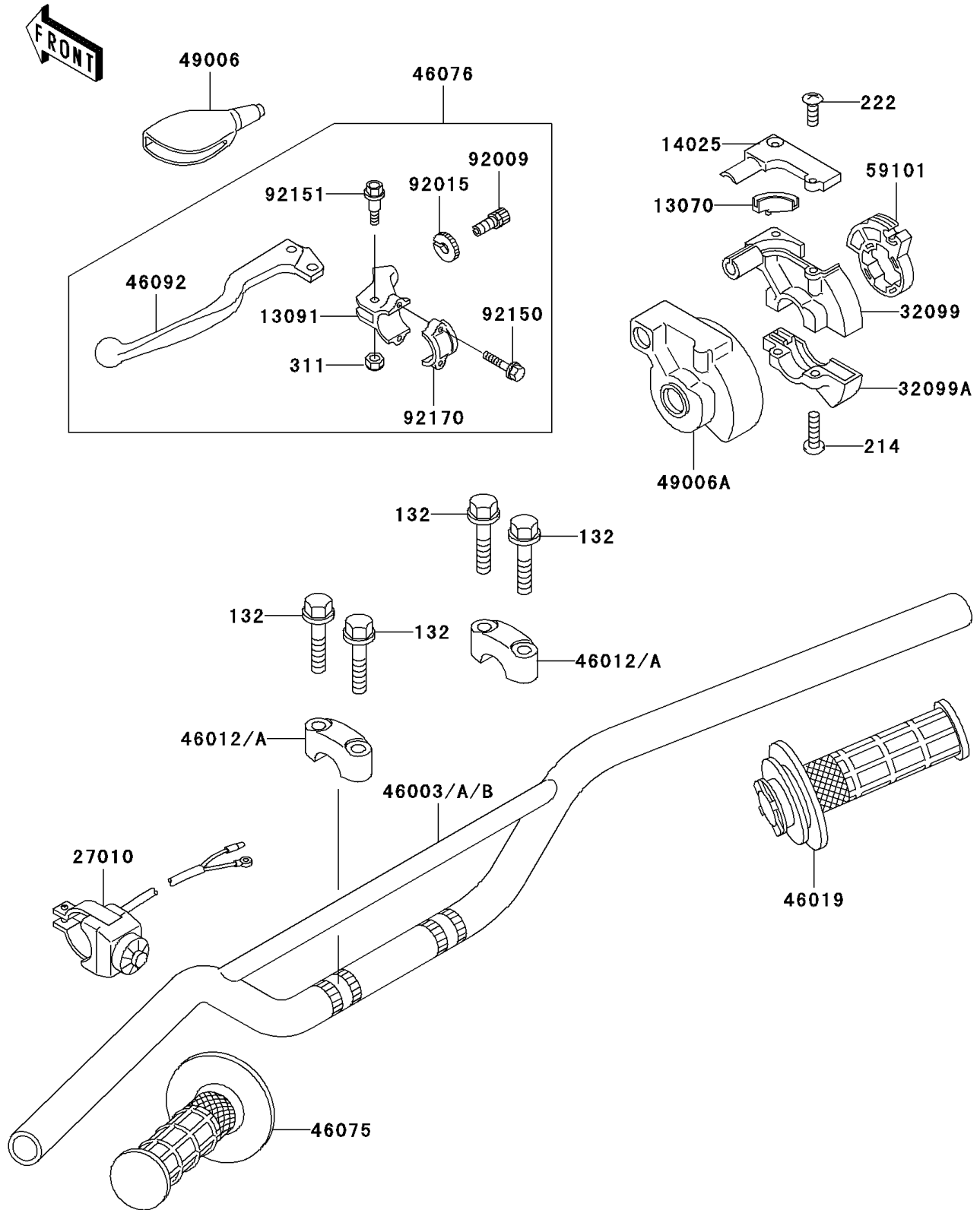


2001 KX™100 PARTS DIAGRAM

Handlebar

F2310



2001 KX™100 PARTS LIST

Handlebar

| ITEM NAME | PART NUMBER | QUANTITY |
|---|---------------|----------|
| BOLT-FLANGED-SMALL (Ref # 132) | 132G0830 | 1 |
| SCREW-PAN+- (Ref # 214) | 214C0518 | 1 |
| SCREW-CSK-RD-CROS (Ref # 222) | 222E0412 | 1 |
| NUT-HEX (Ref # 311) | 311B0500 | 1 |
| GUIDE,THROTTLE (Ref # 13070) | 13070-1074 | 1 |
| HOLDER,CLUTCH LEVER (Ref # 13091) | 13091-1728 | 1 |
| COVER,THROTTLE CASE UPP (Ref # 14025) | 14025-1646 | 1 |
| SWITCH,ENGINE STOP (Ref # 27010) | 27010-1415 | 1 |
| CASE,THROTTLE UPP (Ref # 32099) | 32099-1036 | 1 |
| CASE,THROTTLE LWR (Ref # 32099A) | 32099-1044 | 1 |
| HANDLE,L.GREEN (Ref # 46003A) | 46003-1468-CC | 1 |
| HOLDER-HANDLE,UPP (Ref # 46012A) | 46012-1191 | 1 |
| GRIP-ASSY,THROTTLE (Ref # 46019) | 46019-1054 | 1 |
| GRIP,LH (Ref # 46075) | 46075-1024 | 1 |
| LEVER-ASSY-GRIP,CLUTCH (Ref # 46076) | 46076-1203 | 1 |
| LEVER-GRIP,CLUTCH (Ref # 46092) | 46092-1165 | 1 |
| BOOT,LEVER HOLDER (Ref # 49006) | 49006-1017 | 1 |
| BOOT,THROTTLE CASE (Ref # 49006A) | 49006-1097 | 1 |
| REEL,THROTTLE (Ref # 59101) | 59101-1110 | 1 |
| SCREW,CABLE ADJUST,8MM (Ref # 92009) | 92009-1476 | 1 |
| NUT,CABLE ADJUST LOCK,8MM (Ref # 92015) | 92015-1596 | 1 |
| BOLT (Ref # 92150) | 92150-1474 | 1 |
| BOLT,LEVER SET,5MM (Ref # 92151) | 92151-1103 | 1 |
| CLAMP,LEVER HOLDER (Ref # 92170) | 92170-1226 | 1 |