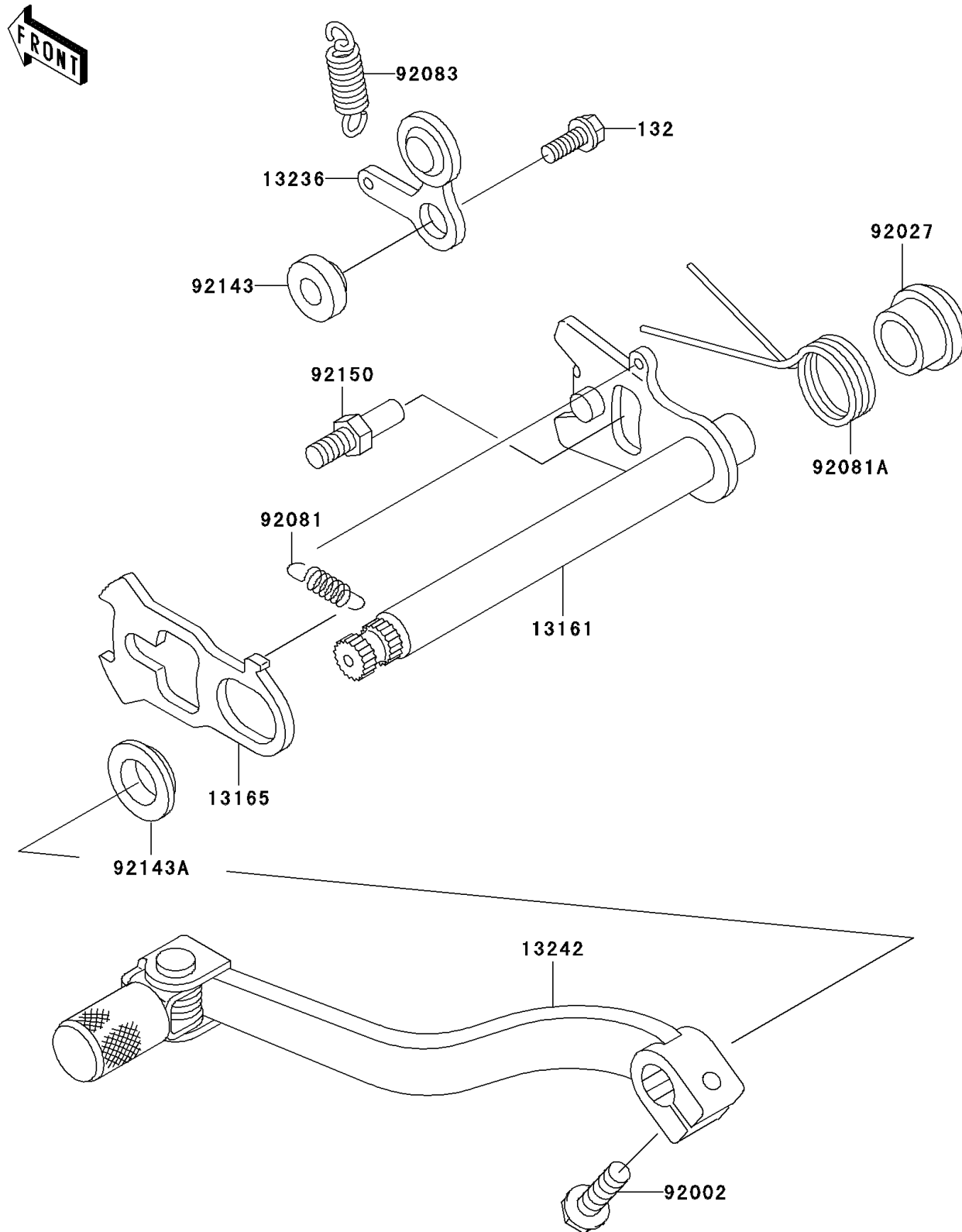


2001 KX™100 PARTS DIAGRAM

Gear Change Mechanism

E1370



2001 KX™100 PARTS LIST

Gear Change Mechanism

| ITEM NAME | PART NUMBER | QUANTITY |
|---|-------------|----------|
| BOLT-FLANGED-SMALL (Ref # 132) | 132G0616 | 1 |
| LEVER-COMP-CHANGE SHAFT (Ref # 13161) | 13161-1126 | 1 |
| PAWL,CHANGE LEVER (Ref # 13165) | 13165-1114 | 1 |
| LEVER-COMP,POSITION (Ref # 13236) | 13236-1152 | 1 |
| LEVER-ASSY-CHANGE,PEDAL (Ref # 13242) | 13242-1286 | 1 |
| BOLT,6X20 (Ref # 92002) | 92002-1237 | 1 |
| COLLAR (Ref # 92027) | 92027-1940 | 1 |
| SPRING,CHANGE LEVER (Ref # 92081) | 92081-076 | 1 |
| SPRING,CHANGE SHAFT RETURN (Ref # 92081A) | 92081-1716 | 1 |
| SPRING,CHANGE DRUM LEVER (Ref # 92083) | 92083-012 | 1 |
| COLLAR (Ref # 92143) | 92143-1055 | 1 |
| COLLAR (Ref # 92143A) | 92143-1995 | 1 |
| BOLT,RETURN SPRING (Ref # 92150) | 92150-1467 | 1 |