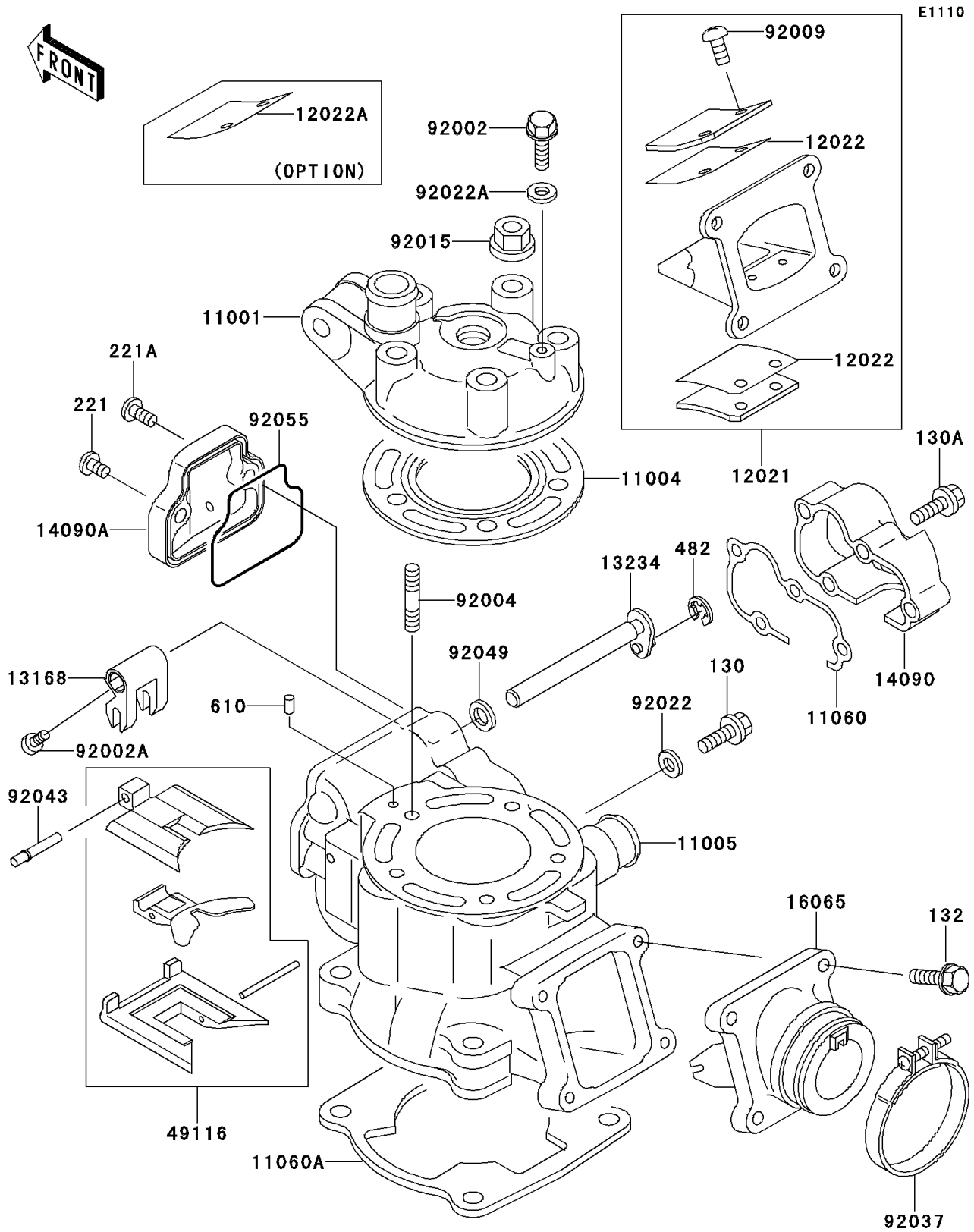


1998 KX™ 100 PARTS DIAGRAM

Cylinder Head/Cylinder



1998 KX™100 PARTS LIST

Cylinder Head/Cylinder

| ITEM NAME | PART NUMBER | QUANTITY |
|---|-------------|----------|
| BOLT-FLANGED,6X8 (Ref # 130) | 130B0608 | 1 |
| BOLT-FLANGED (Ref # 130A) | 130G0525 | 1 |
| BOLT-FLANGED-SMALL (Ref # 132) | 132G0620 | 1 |
| SCREW-CSK-CROS,6X16 (Ref # 221) | 221B0616 | 1 |
| SCREW-CSK-CROS,6X20 (Ref # 221A) | 221B0620 | 1 |
| CIRCLIP-TYPE-E (Ref # 482) | 482J5000 | 1 |
| ROLLER,4X8 (Ref # 610) | 610A0408 | 1 |
| HEAD-CYLINDER (Ref # 11001) | 11001-1463 | 1 |
| GASKET-HEAD (Ref # 11004) | 11004-1214 | 1 |
| CYLINDER-ENGINE (Ref # 11005) | 11005-1846 | 1 |
| GASKET,GOVERNOR COVER (Ref # 11060) | 11060-1778 | 1 |
| GASKET,CYLINDER BASE (Ref # 11060A) | 11060-1779 | 1 |
| VALVE-ASSY-REED (Ref # 12021) | 12021-1114 | 1 |
| VALVE-REED,T=0.42 (Ref # 12022) | 12022-1054 | 1 |
| VALVE-REED,T=0.37,CARBON (Ref # 12022A) | 12022-1086 | 1 |
| LEVER,MAIN VALVE (Ref # 13168) | 13168-1499 | 1 |
| SHAFT-COMP (Ref # 13234) | 13234-1105 | 1 |
| COVER (Ref # 14090) | 14090-1811 | 1 |
| COVER (Ref # 14090A) | 14090-1812 | 1 |
| HOLDER-CARBURETOR (Ref # 16065) | 16065-1224 | 1 |
| VALVE-ASSY (Ref # 49116) | 49116-1158 | 1 |
| BOLT,6X10 (Ref # 92002) | 92002-1222 | 1 |
| BOLT,SOCKET,4X8 (Ref # 92002A) | 92002-1403 | 1 |
| STUD,8X32 (Ref # 92004) | 92004-1253 | 1 |
| SCREW,REED VALVE (Ref # 92009) | 92009-1014 | 1 |
| NUT,8MM (Ref # 92015) | 92015-1143 | 1 |
| WASHER,6.1X12X1 (Ref # 92022) | 92022-077 | 1 |
| WASHER,6.2X11X1 (Ref # 92022A) | 92022-304 | 1 |
| CLAMP (Ref # 92037) | 92037-1843 | 1 |

1998 KX™ 100 PARTS LIST

Cylinder Head/Cylinder

| ITEM NAME | PART NUMBER | QUANTITY |
|---------------------------------|-------------|----------|
| PIN,MAIN VALVE (Ref # 92043) | 92043-1470 | 1 |
| SEAL-OIL,SD088144 (Ref # 92049) | 92049-1238 | 1 |
| RING-O (Ref # 92055) | 92055-1566 | 1 |