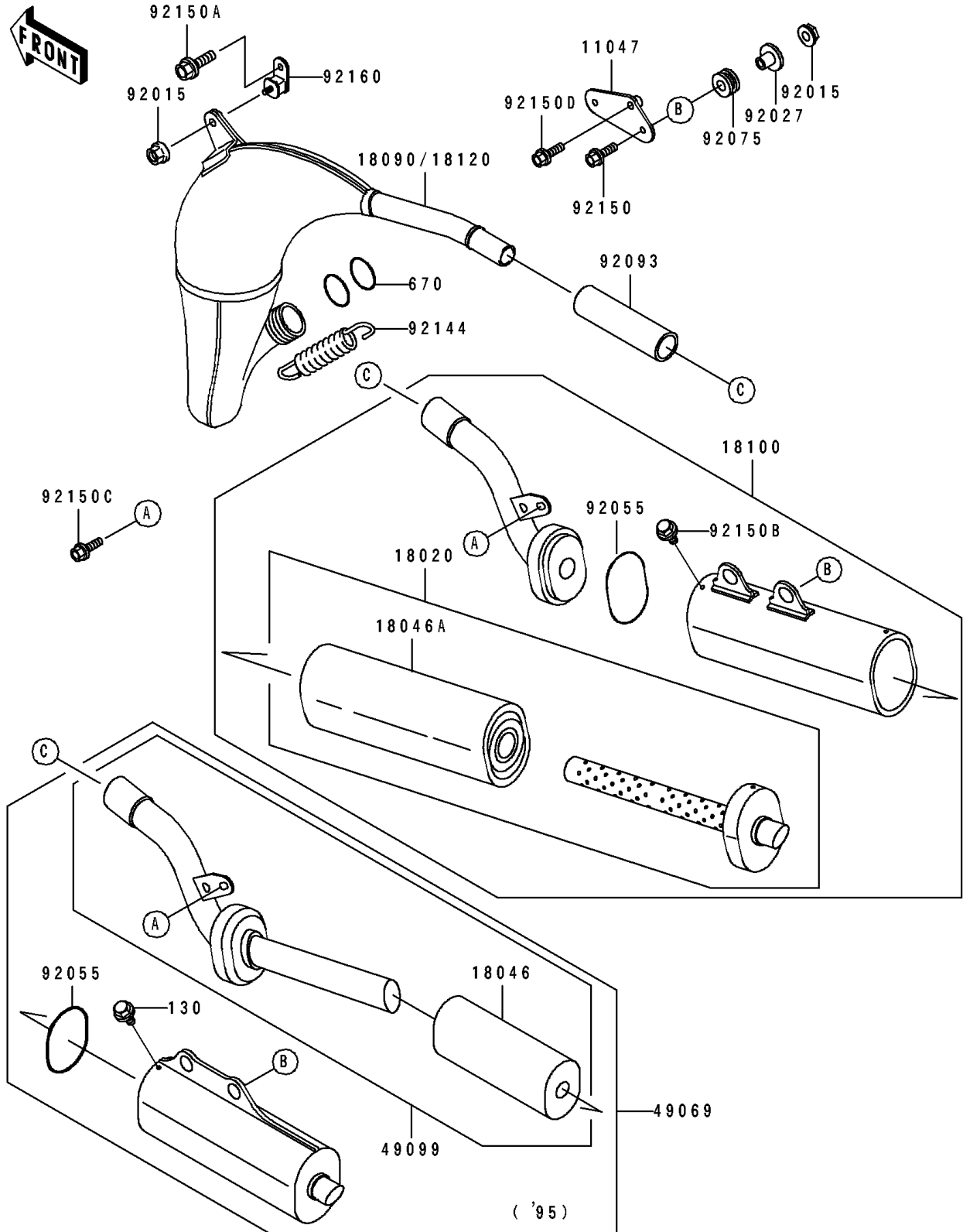


## 1995 KX™100 PARTS DIAGRAM

Muffler(s)

E1140



## 1995 KX™100 PARTS LIST

Muffler(s)

ITEM NAME	PART NUMBER	QUANTITY
BRACKET,MUFFLER (Ref # 11047)	11047-1495	1
WOOL,BAFFLE PIPE (Ref # 18046)	18046-1136	1
BODY-COMP-MUFFLER (Ref # 18090)	18090-1065	1
MUFFLER-ASSY (Ref # 49069)	49069-1145	1
BAFFLE-PIPE MUFFLER (Ref # 49099)	49099-1321	1
NUT,FLANGED,6MM (Ref # 92015)	92015-1078	1
COLLAR,L=13.1,BLACK (Ref # 92027)	92027-1450	1
RING-O,BAFFLE PIPE (Ref # 92055)	92055-1461	1
DAMPER,MUFFLER FITTING (Ref # 92075)	92075-1857	1
SEAL,MUFFLER JOINT (Ref # 92093)	92093-1200	1
SPRING,EXHAUST CONNECTING (Ref # 92144)	92144-1470	1
BOLT,6X20 (Ref # 92150)	92150-1339	1
BOLT,6X14 (Ref # 92150A)	92150-1340	1
BOLT,6X12 (Ref # 92150C)	92150-1435	1
BOLT,FLANGED,6X25 (Ref # 92150D)	92150-1507	1
DAMPER,MUFFLER,FR (Ref # 92160)	92160-1176	1
BOLT-FLANGED (Ref # 130)	130G0508	1
O RING,36MM (Ref # 670)	670E3036	1