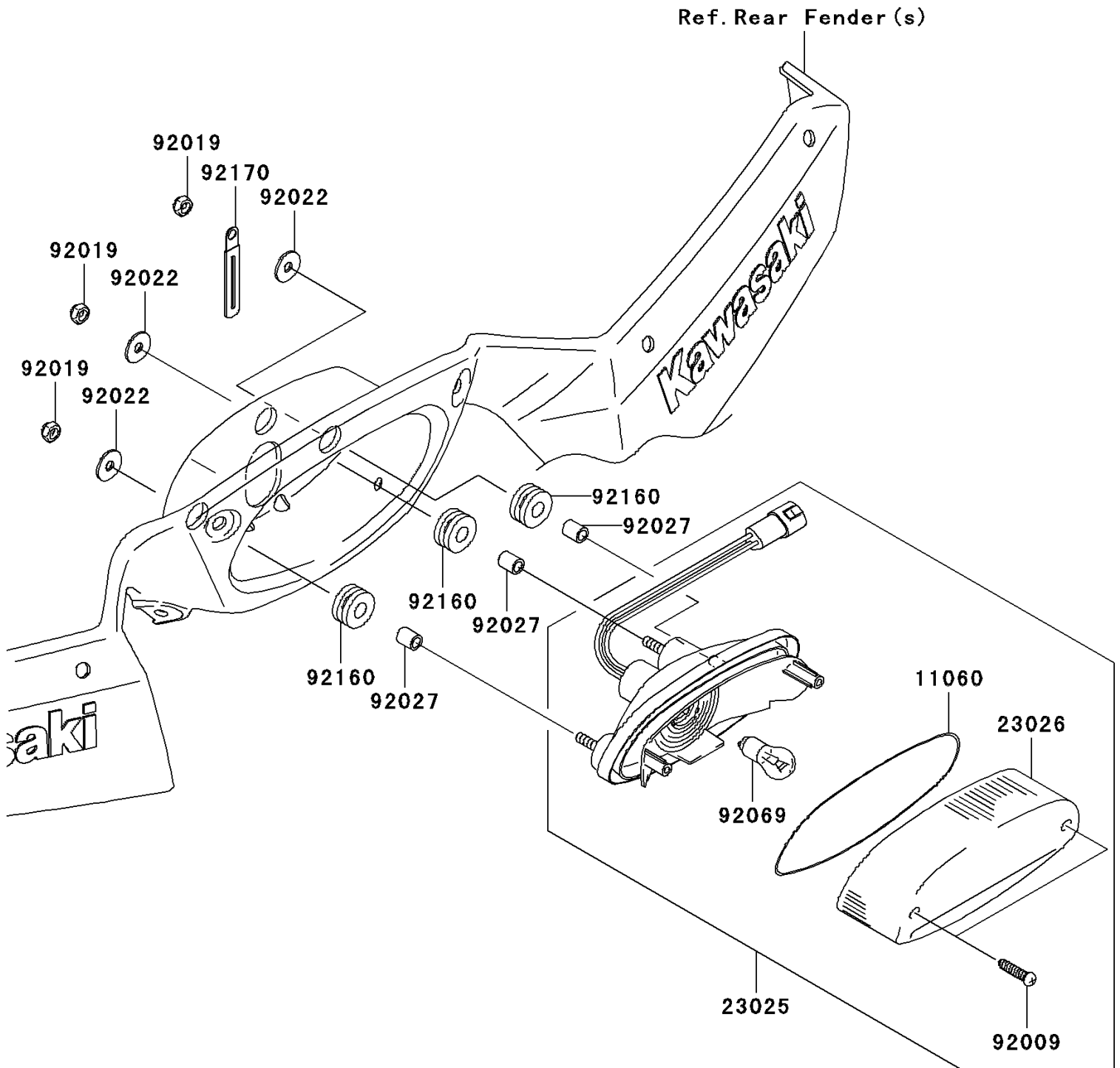


## 2006 Brute Force® 750 4x4i NRA Outdoors™ PARTS DIAGRAM

Taillight(s)

F2720



## 2006 Brute Force® 750 4x4i NRA Outdoors™ PARTS LIST

Taillight(s)

| ITEM NAME                           | PART NUMBER | QUANTITY |
|-------------------------------------|-------------|----------|
| GASKET,TAIL LAMP LENS (Ref # 11060) | 11060-1174  | 1        |
| LAMP-TAIL (Ref # 23025)             | 23025-0011  | 1        |
| LENS,TAIL LAMP (Ref # 23026)        | 23026-1183  | 1        |
| SCREW,TAPPING,4X20 (Ref # 92009)    | 92009-1378  | 1        |
| NUT,LOCK,6MM (Ref # 92019)          | 92019-008   | 1        |
| WASHER,6.5X20X1.6 (Ref # 92022)     | 92022-1557  | 1        |
| COLLAR,6.8X10X12 (Ref # 92027)      | 92027-162   | 1        |
| BULB,12V 21/5W (Ref # 92069)        | 92069-063   | 1        |
| DAMPER (Ref # 92160)                | 92160-1162  | 1        |
| CLAMP (Ref # 92170)                 | 92170-1514  | 1        |