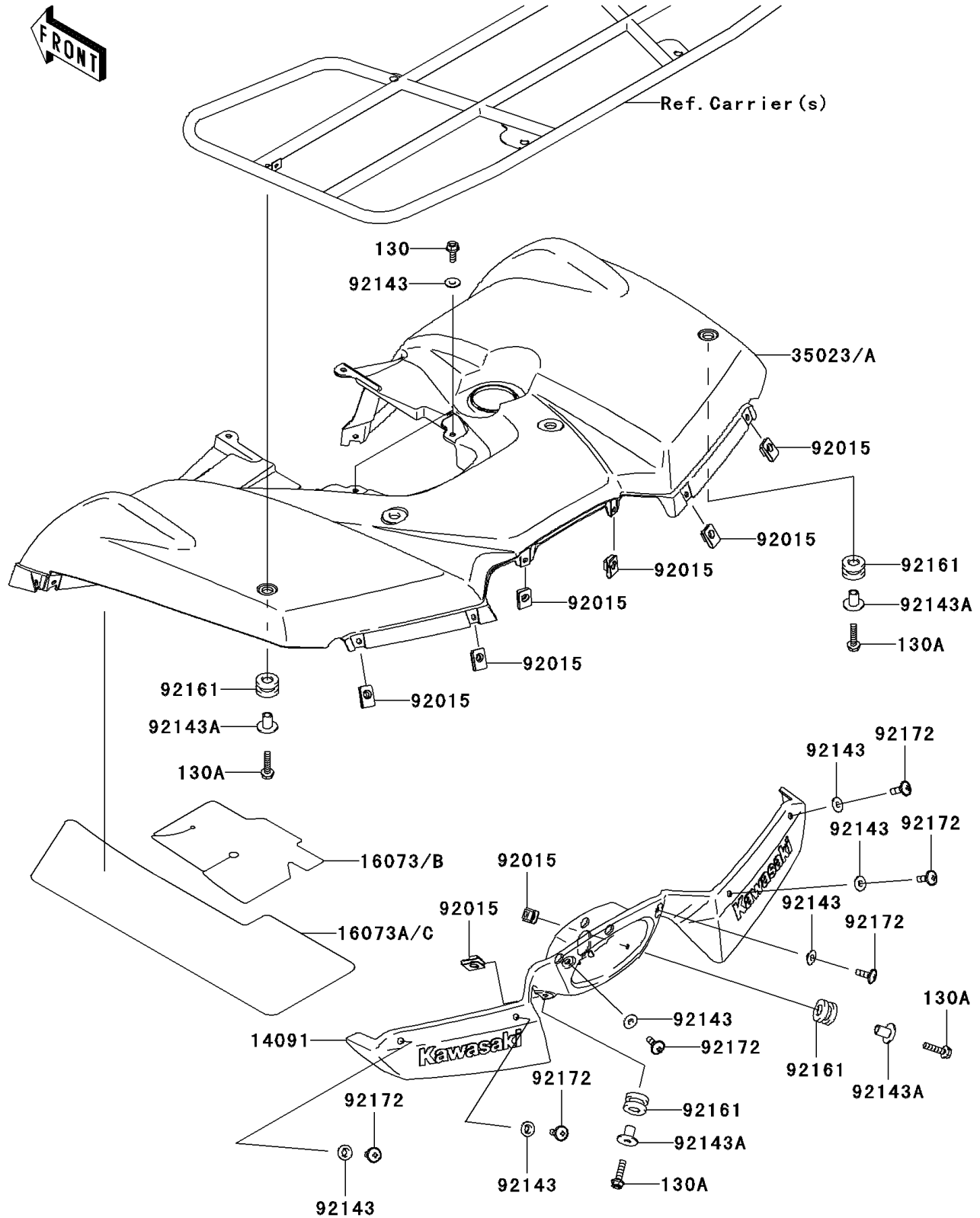


## 2006 Brute Force® 750 4x4i NRA Outdoors™ PARTS DIAGRAM

Rear Fender(s)

F2172



## 2006 Brute Force® 750 4x4i NRA Outdoors™ PARTS LIST

Rear Fender(s)

ITEM NAME	PART NUMBER	QUANTITY
BOLT-FLANGED,6X16 (Ref # 130)	130J0616	1
BOLT-FLANGED,6X25 (Ref # 130A)	130J0625	1
COVER,TAIL LAMP,F.BLACK (Ref # 14091)	14091-0252-6Z	1
INSULATOR,REAR FENDER,INNER (Ref # 16073)	16073-0013	1
INSULATOR,REAR FENDER,OUTER (Ref # 16073A)	16073-0014	1
FENDER-REAR,G.SILVER (Ref # 35023A)	35023-0068-825	1
NUT,6MM (Ref # 92015)	92015-1602	1
COLLAR (Ref # 92143)	92143-1087	1
COLLAR (Ref # 92143A)	92143-1960	1
DAMPER (Ref # 92161)	92161-0106	1
SCREW,6X18 (Ref # 92172)	92172-0002	1