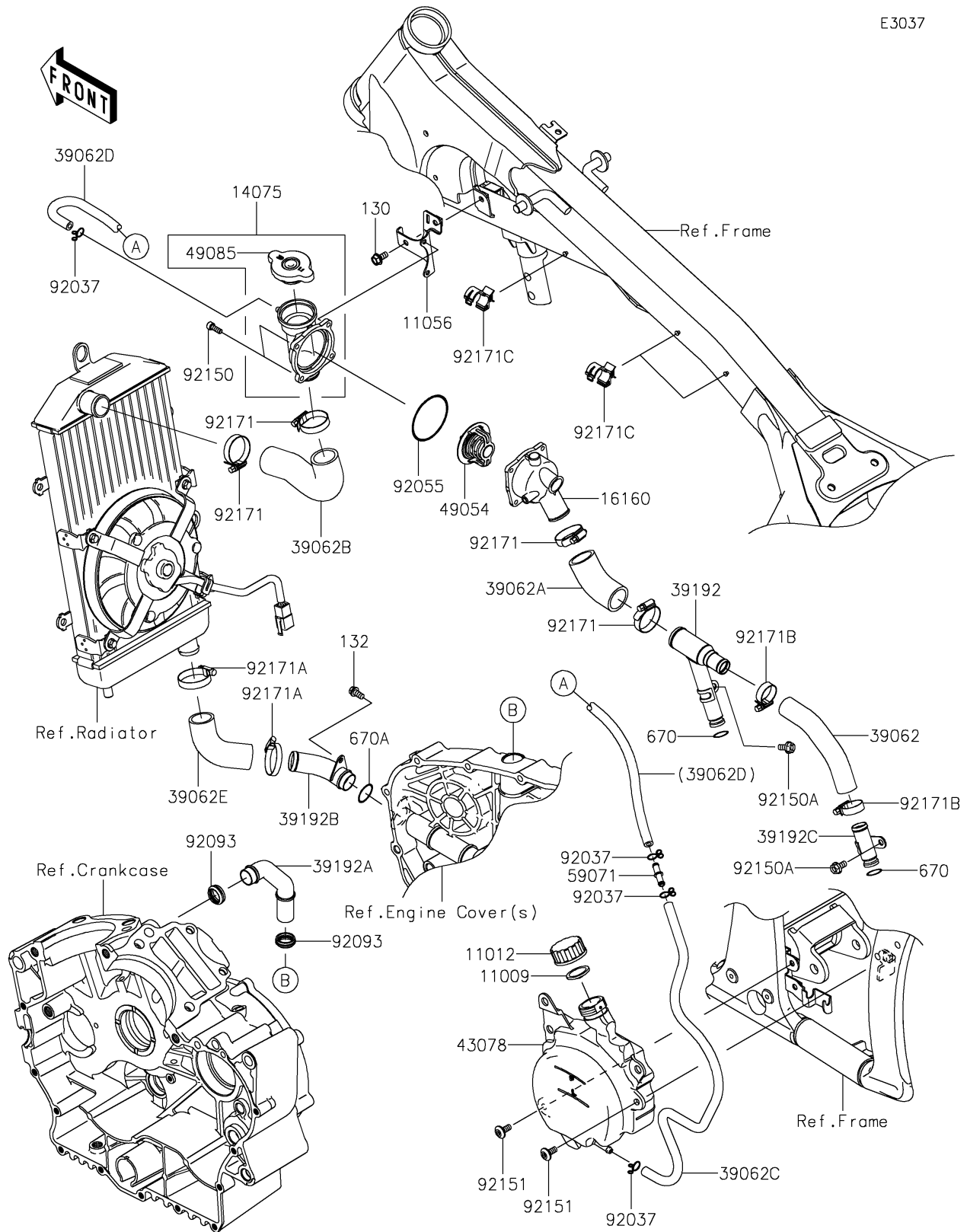


2017 Vulcan® 900 Classic PARTS DIAGRAM

Water Pipe

E3037



2017 Vulcan® 900 Classic PARTS LIST

Water Pipe

| ITEM NAME | PART NUMBER | QUANTITY |
|---|-------------|----------|
| GASKET,RESERVOIR TANK CAP (Ref # 11009) | 11009-1145 | 1 |
| CAP (Ref # 11012) | 11012-1084 | 1 |
| BRACKET (Ref # 11056) | 11056-1356 | 1 |
| BOLT-FLANGED,6X14 (Ref # 130) | 130BA0614 | 1 |
| BOLT-FLANGED-SMALL,6X12 (Ref # 132) | 132BA0612 | 1 |
| CAP-ASSY (Ref # 14075) | 14075-0001 | 1 |
| BODY (Ref # 16160) | 16160-0781 | 1 |
| HOSE-COOLING,RR HEAD-PIPE (Ref # 39062) | 39062-0118 | 1 |
| HOSE-COOLING,PIPE-THERMO (Ref # 39062A) | 39062-0120 | 1 |
| HOSE-COOLING,THERMO-RAD (Ref # 39062B) | 39062-0121 | 1 |
| HOSE-COOLING,RESERVOIR-JOINT (Ref # 39062C) | 39062-0124 | 1 |
| HOSE-COOLING,JOINT-THERMO (Ref # 39062D) | 39062-0132 | 1 |
| HOSE-COOLING,PIPE-WATER PUMP (Ref # 39062E) | 39062-0717 | 1 |
| PIPE-WATER,FR HEAD (Ref # 39192) | 39192-0042 | 1 |
| PIPE-WATER (Ref # 39192A) | 39192-0043 | 1 |
| PIPE-WATER (Ref # 39192B) | 39192-0044 | 1 |
| PIPE-WATER,RR HEAD (Ref # 39192C) | 39192-0048 | 1 |
| RESERVOIR (Ref # 43078) | 43078-0045 | 1 |
| THERMOSTAT (Ref # 49054) | 49054-0004 | 1 |
| CAP-ASSY-PRESSURE (Ref # 49085) | 49085-1066 | 1 |
| JOINT (Ref # 59071) | 59071-3717 | 1 |
| O RING,14MM (Ref # 670) | 670B2014 | 1 |
| O RING,21MM (Ref # 670A) | 670B2021 | 1 |
| CLAMP,TUBE (Ref # 92037) | 92037-147 | 1 |
| RING-O,53.5X2.6 (Ref # 92055) | 92055-0831 | 1 |
| SEAL (Ref # 92093) | 92093-1427 | 1 |
| BOLT,SOCKET,5X14 (Ref # 92150) | 92150-1180 | 1 |
| BOLT,FLANGED,6X12 (Ref # 92150A) | 92150-1826 | 1 |
| BOLT,SOCKET,6X14 (Ref # 92151) | 92151-1654 | 1 |

2017 Vulcan® 900 Classic PARTS LIST

Water Pipe

| ITEM NAME | PART NUMBER | QUANTITY |
|--------------------------------|-------------|----------|
| CLAMP (Ref # 92171) | 92171-0179 | 1 |
| CLAMP (Ref # 92171A) | 92171-0261 | 1 |
| CLAMP (Ref # 92171B) | 92171-0338 | 1 |
| CLAMP,15MM DIA. (Ref # 92171C) | 92171-1424 | 1 |