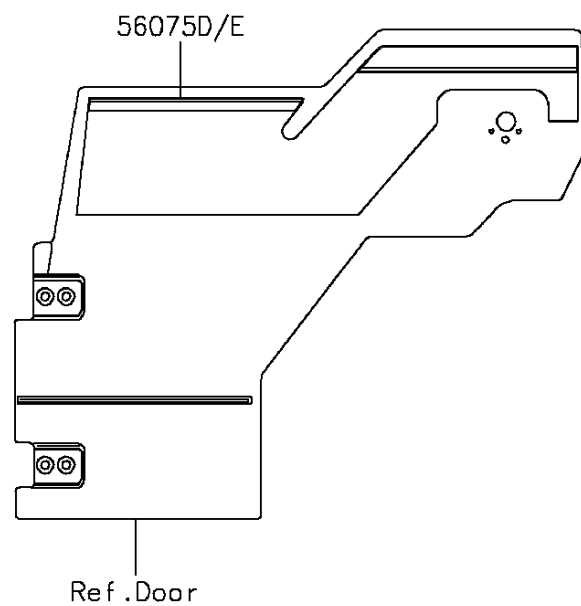
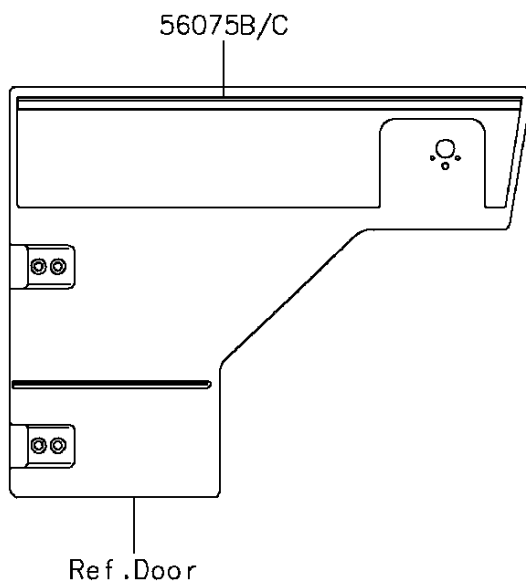
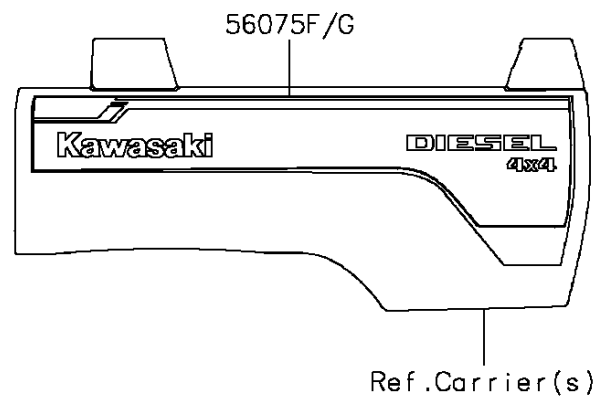
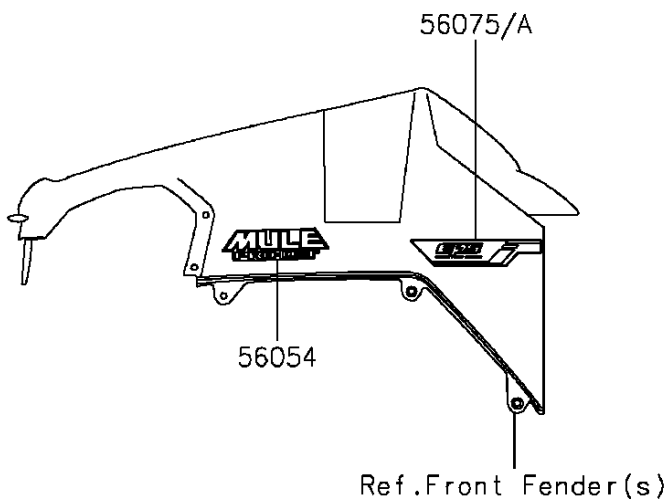


2016 MULE PRO-DXT™ EPS PARTS DIAGRAM

Decals(Black)(US)

F2861



2016 MULE PRO-DXT™ EPS PARTS LIST

Decals(Black)(US)

ITEM NAME	PART NUMBER	QUANTITY
MARK,FR FENDER,MULE PRO-DXT (Ref # 56054)	56054-1960	1
PATTERN,FR FENDER,LH,EPS (Ref # 56075)	56075-0632	1
PATTERN,FR FENDER,RH,EPS (Ref # 56075A)	56075-0633	1
PATTERN,SIDE GUARD,LH,FR (Ref # 56075B)	56075-0634	1
PATTERN,SIDE GUARD,RH,FR (Ref # 56075C)	56075-0635	1
PATTERN,SIDE GUARD,LH,RR (Ref # 56075D)	56075-0636	1
PATTERN,SIDE GUARD,RH,RR (Ref # 56075E)	56075-0637	1
PATTERN,CARRIER COVER,LH (Ref # 56075F)	56075-1373	1
PATTERN,CARRIER COVER,RH (Ref # 56075G)	56075-1374	1