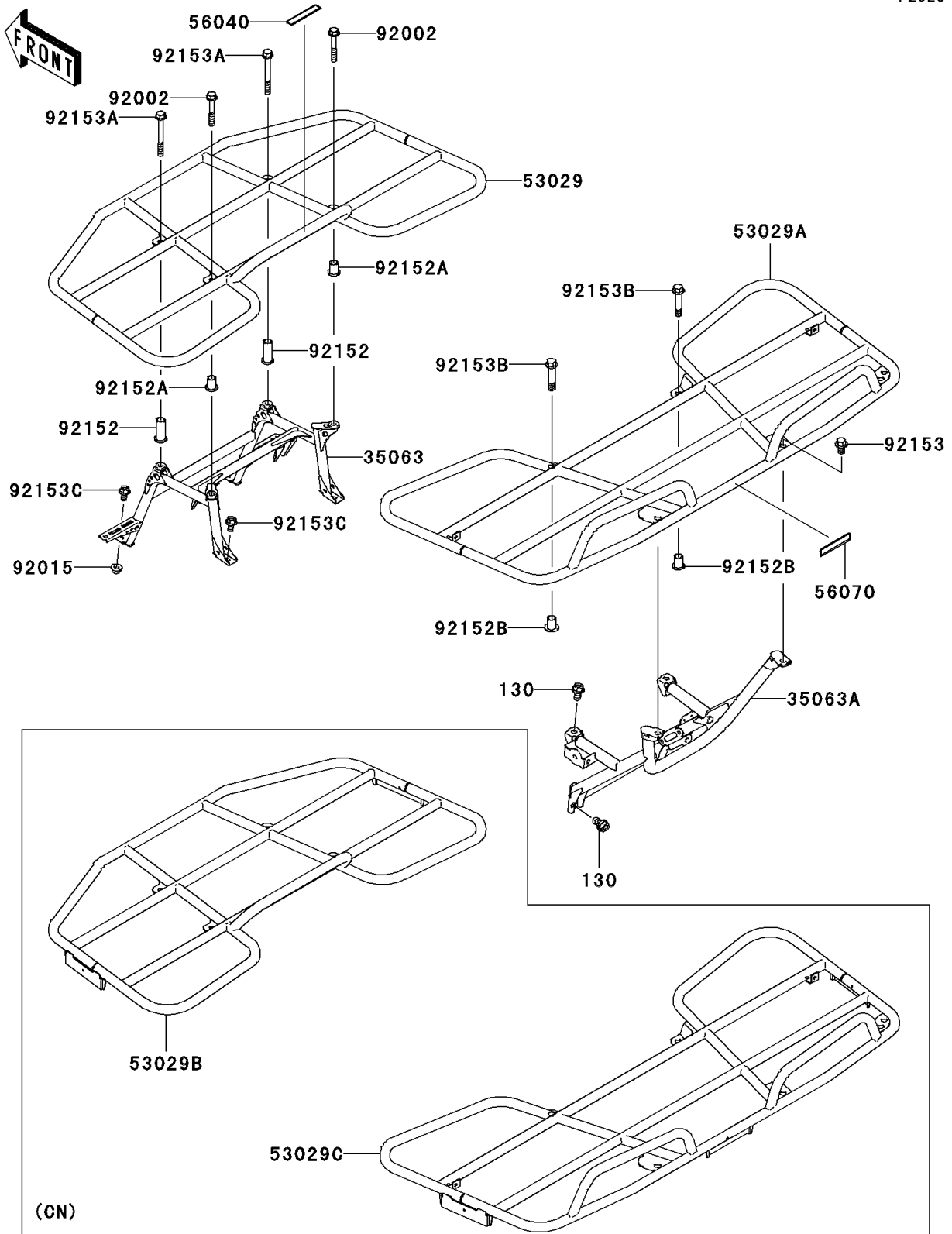


## 2005 Brute Force® 750 4x4i Realtree Hardwoods Green® HD™ PARTS DIAGRAM

Carrier(s)

F2520



## 2005 Brute Force® 750 4x4i Realtree Hardwoods Green® HD™ PARTS LIST

Carrier(s)

ITEM NAME	PART NUMBER	QUANTITY
BOLT-FLANGED,10X16 (Ref # 130)	130J1016	1
STAY,FR (Ref # 35063)	35063-0164	1
STAY,REAR CARRIER,M.GRAYSTONE (Ref # 35063A)	35063-0185-379	1
LABEL-WARNING,MAXIMUM LOAD (Ref # 56040)	56040-1321	1
LABEL-WARNING,MAXIMUM LOAD (Ref # 56070)	56070-0041	1
BOLT,8X50 (Ref # 92002)	92002-1934	1
NUT,FLANGED,8MM (Ref # 92015)	92015-1406	1
COLLAR (Ref # 92152)	92152-0254	1
COLLAR (Ref # 92152A)	92152-0255	1
COLLAR (Ref # 92152B)	92152-0257	1
BOLT,FLANGED,10X14 (Ref # 92153)	92153-0747	1
BOLT,FLANGED,8X70 (Ref # 92153A)	92153-0748	1
BOLT,FLANGED,10X44 (Ref # 92153B)	92153-0850	1
BOLT,FLANGED,8X14 (Ref # 92153C)	92153-0931	1
CARRIER,FR,M.GRAYSTONE (Ref # 53029)	53029-0012-379	1
CARRIER,RR,M.GRAYSTONE (Ref # 53029A)	53029-0013-379	1
CARRIER,FR,M.GRAYSTONE (Ref # 53029B)	53029-0022-379	1
CARRIER,RR,M.GRAYSTONE (Ref # 53029C)	53029-0023-379	1