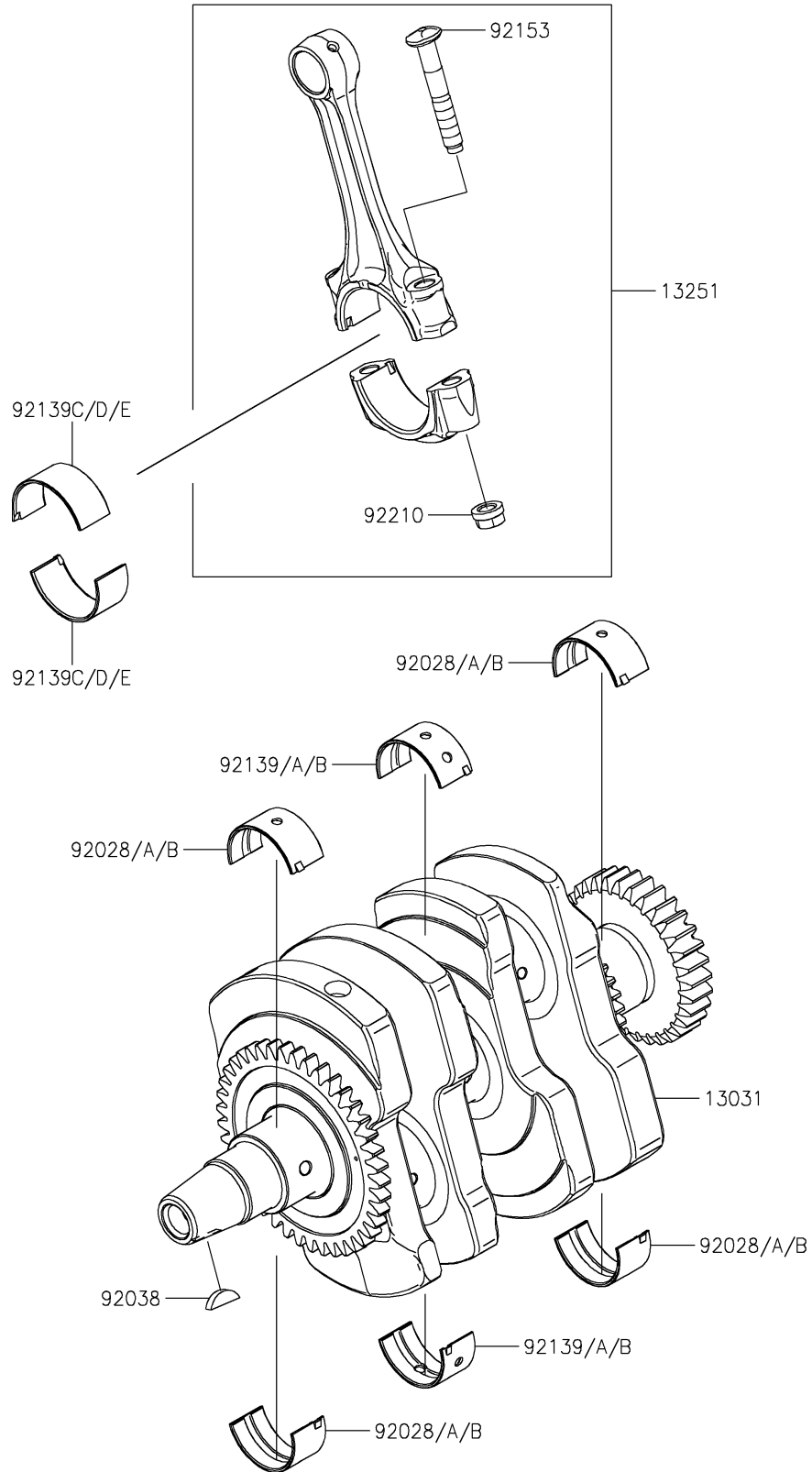


2019 Z400 ABS PARTS DIAGRAM

Crankshaft

E1321



2019 Z400 ABS PARTS LIST

Crankshaft

ITEM NAME	PART NUMBER	QUANTITY
CRANKSHAFT-COMP (Ref # 13031)	13031-0878	1
ROD-ASSY-CONNECTING,HH (Ref # 13251)	13251-0727-HH	1
BUSHING,CRANK,#1,BLUE (Ref # 92028)	92028-1866	1
BUSHING,CRANK,#1,BLACK (Ref # 92028A)	92028-1867	1
BUSHING,CRANK,#1,BROWN (Ref # 92028B)	92028-1868	1
KEY,WOODRUFF (Ref # 92038)	92038-001	1
BUSHING,CRANK #2,BLUE (Ref # 92139)	92139-0880	1
BUSHING,CRANK #2,BLACK (Ref # 92139A)	92139-0881	1
BUSHING,CRANK #2,BROWN (Ref # 92139B)	92139-0882	1
BUSHING,CONNECTING ROD,BLUE (Ref # 92139C)	92139-0886	1
BUSHING,CONNECTING ROD,BLACK (Ref # 92139D)	92139-0887	1
BUSHING,CONNECTING ROD,BROWN (Ref # 92139E)	92139-0888	1
BOLT,7MM (Ref # 92153)	92153-1172	1
NUT,CONNECTING ROD,7MM (Ref # 92210)	92210-0384	1