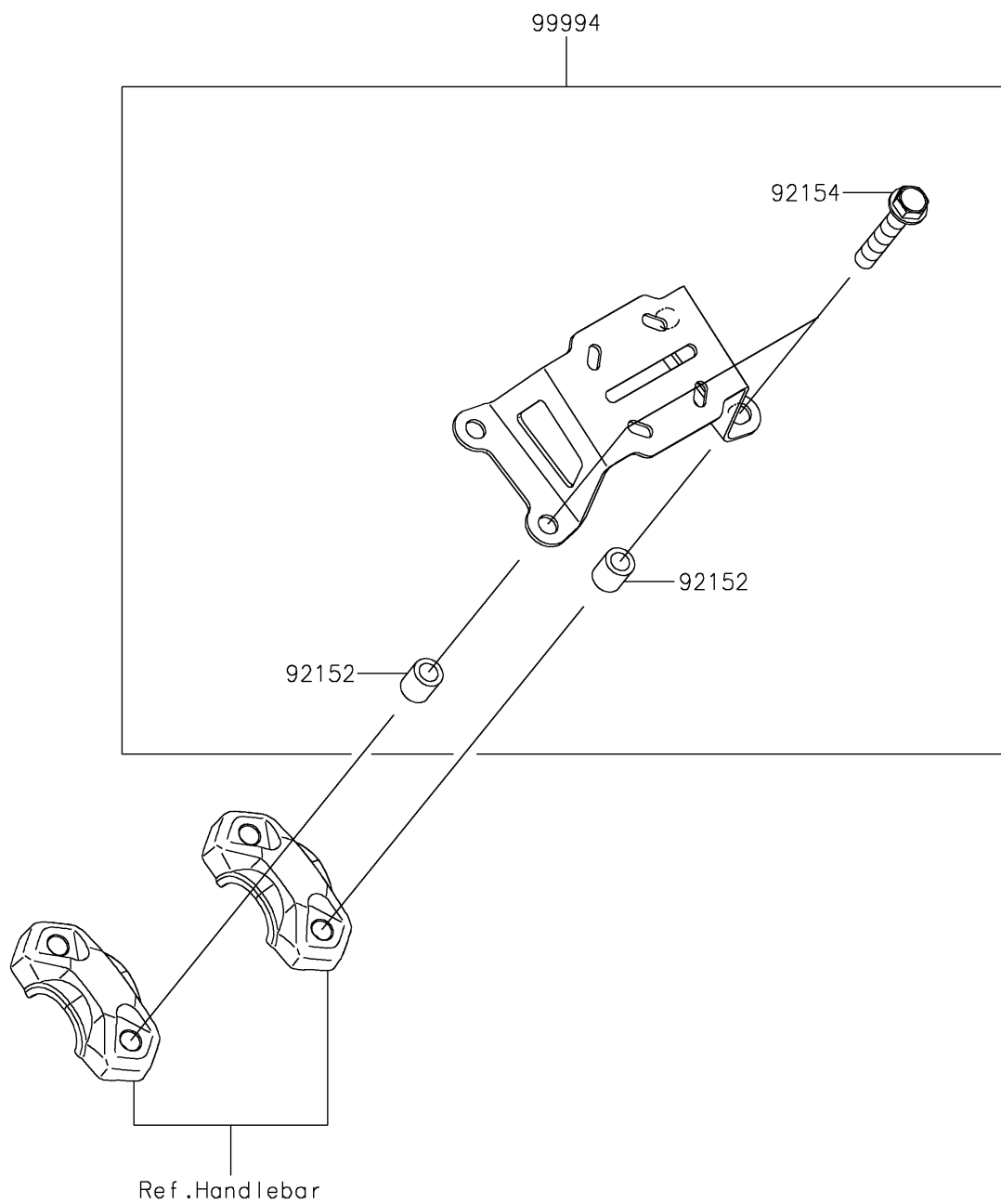


2019 PARTS DIAGRAM

Accessory(GPS Navi Bracket)

F2910E



2019 PARTS LIST

Accessory(GPS Navi Bracket)

ITEM NAME	PART NUMBER	QUANTITY
COLLAR,8.1X12.5X14 (Ref # 92152)	92152-2215	1
BOLT,FLANGED,8X45 (Ref # 92154)	92154-1706	1
KIT-ACCESSORY,GPS NAVI BRACKET (Ref # 99994)	99994-0973	1