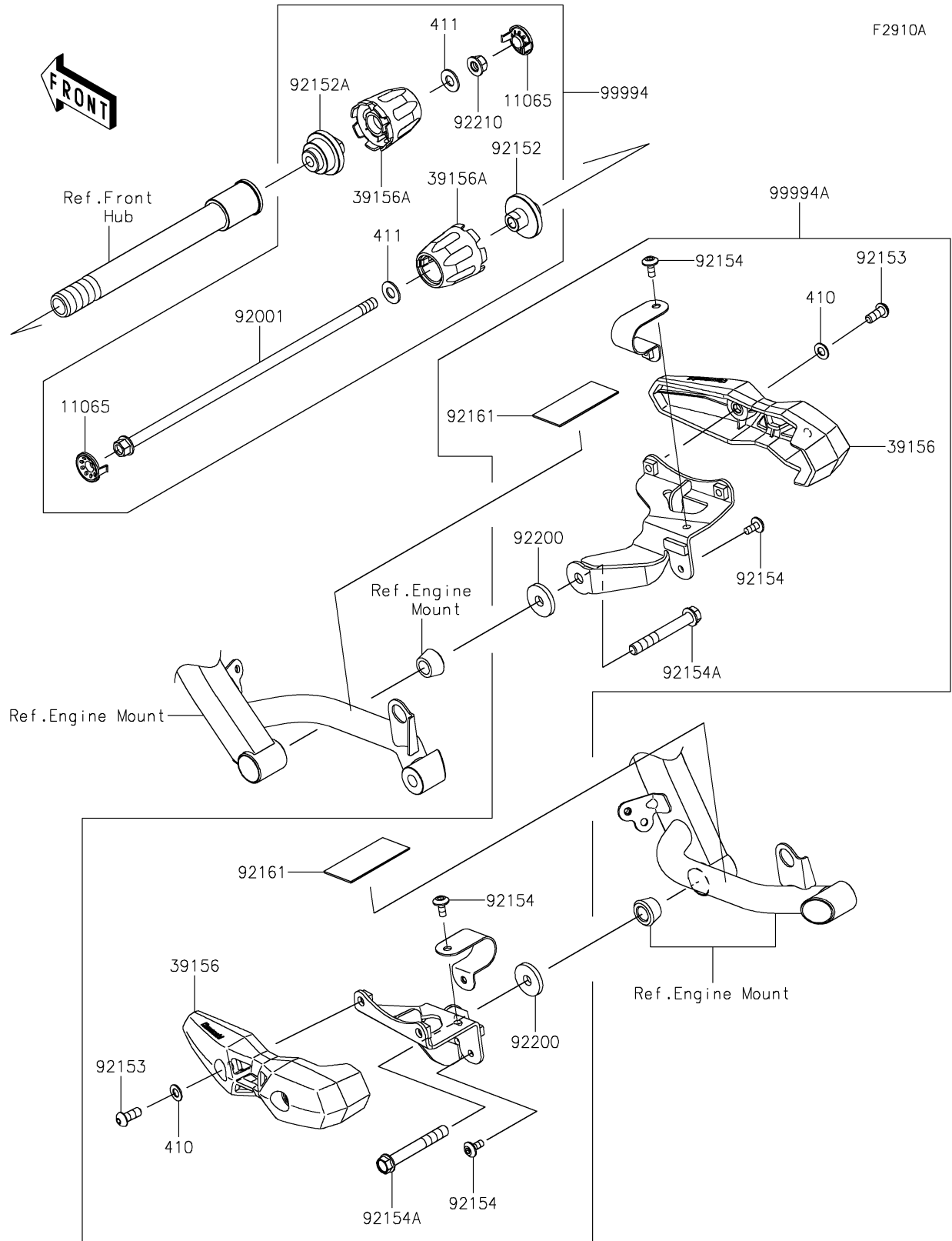


2019 PARTS DIAGRAM

Accessory(Slider)



2019 PARTS LIST

Accessory(Slider)

ITEM NAME	PART NUMBER	QUANTITY
CAP,B.SILVER (Ref # 11065)	11065-1313-54N	1
PAD,SLIDER (Ref # 39156)	39156-1818	1
PAD,AXLE SLIDER (Ref # 39156A)	39156-2212	1
WASHER-PLAIN-SMALL,8MM,BLACK (Ref # 410)	410AB0800	1
WASHER-PLAIN,10MM (Ref # 411)	411AA1000	1
BOLT,FLANGED,10X325 (Ref # 92001)	92001-1654	1
COLLAR,LH (Ref # 92152)	92152-2502	1
COLLAR,RH (Ref # 92152A)	92152-2511	1
BOLT,SOCKET,8X20 (Ref # 92153)	92153-0912	1
BOLT,SOCKET,6X14 (Ref # 92154)	92154-0907	1
BOLT,FLANGED,10X75 (Ref # 92154A)	92154-1923	1
DAMPER,36X77X1.5 (Ref # 92161)	92161-1721	1
WASHER,10.2X32X4.5 (Ref # 92200)	92200-1785	1
NUT,LOCK,FLANGED,10MM (Ref # 92210)	92210-1139	1
FRONT AXLE SLIDER (Ref # 99994)	99994-1134	1
FRAME SLIDER (Ref # 99994A)	99994-1139	1