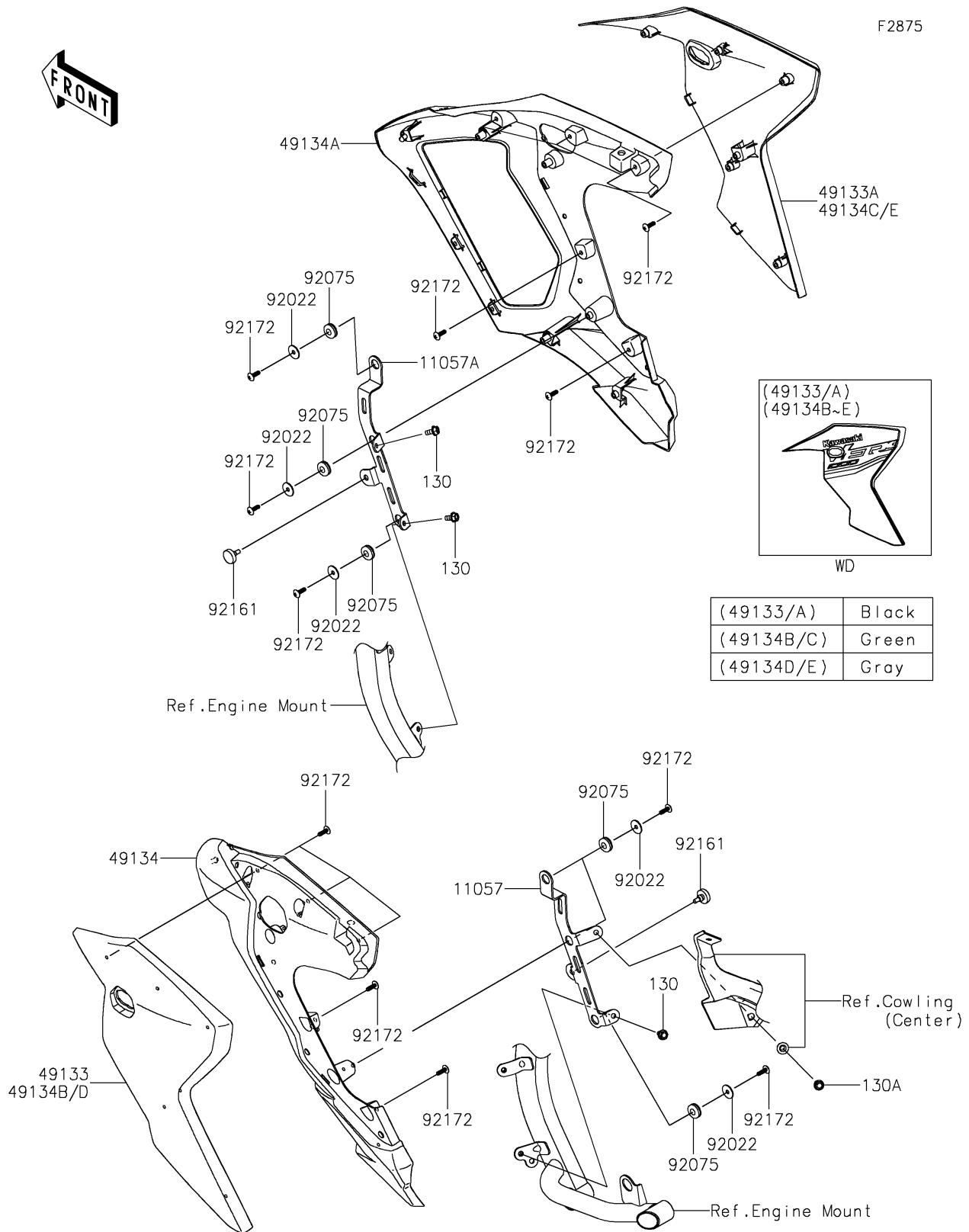


## 2019 PARTS DIAGRAM

Shroud



## 2019 PARTS LIST

Shroud

| ITEM NAME                                  | PART NUMBER    | QUANTITY |
|--|----------------|----------|
| BRACKET,SHROUD,LH (Ref # 11057)            | 11057-1698     | 1        |
| BRACKET,SHROUD,RH (Ref # 11057A)           | 11057-1699     | 1        |
| BOLT-FLANGED,6X12 (Ref # 130)              | 130CB0612      | 1        |
| BOLT-FLANGED,6X16 (Ref # 130A)             | 130CC0616      | 1        |
| SHROUD,OUTER,LH,M.F.S.BLACK (Ref # 49133)  | 49133-5481-739 | 1        |
| SHROUD,OUTER,RH,M.F.S.BLACK (Ref # 49133A) | 49133-5482-739 | 1        |
| SHROUD,INNER,LH (Ref # 49134)              | 49134-0004     | 1        |
| SHROUD,INNER,RH (Ref # 49134A)             | 49134-0005     | 1        |
| WASHER,5.5X20X1.2 (Ref # 92022)            | 92022-1405     | 1        |
| DAMPER (Ref # 92075)                       | 92075-051      | 1        |
| DAMPER (Ref # 92161)                       | 92161-0183     | 1        |
| SCREW,TAPPING,5X16 (Ref # 92172)           | 92172-0238     | 1        |