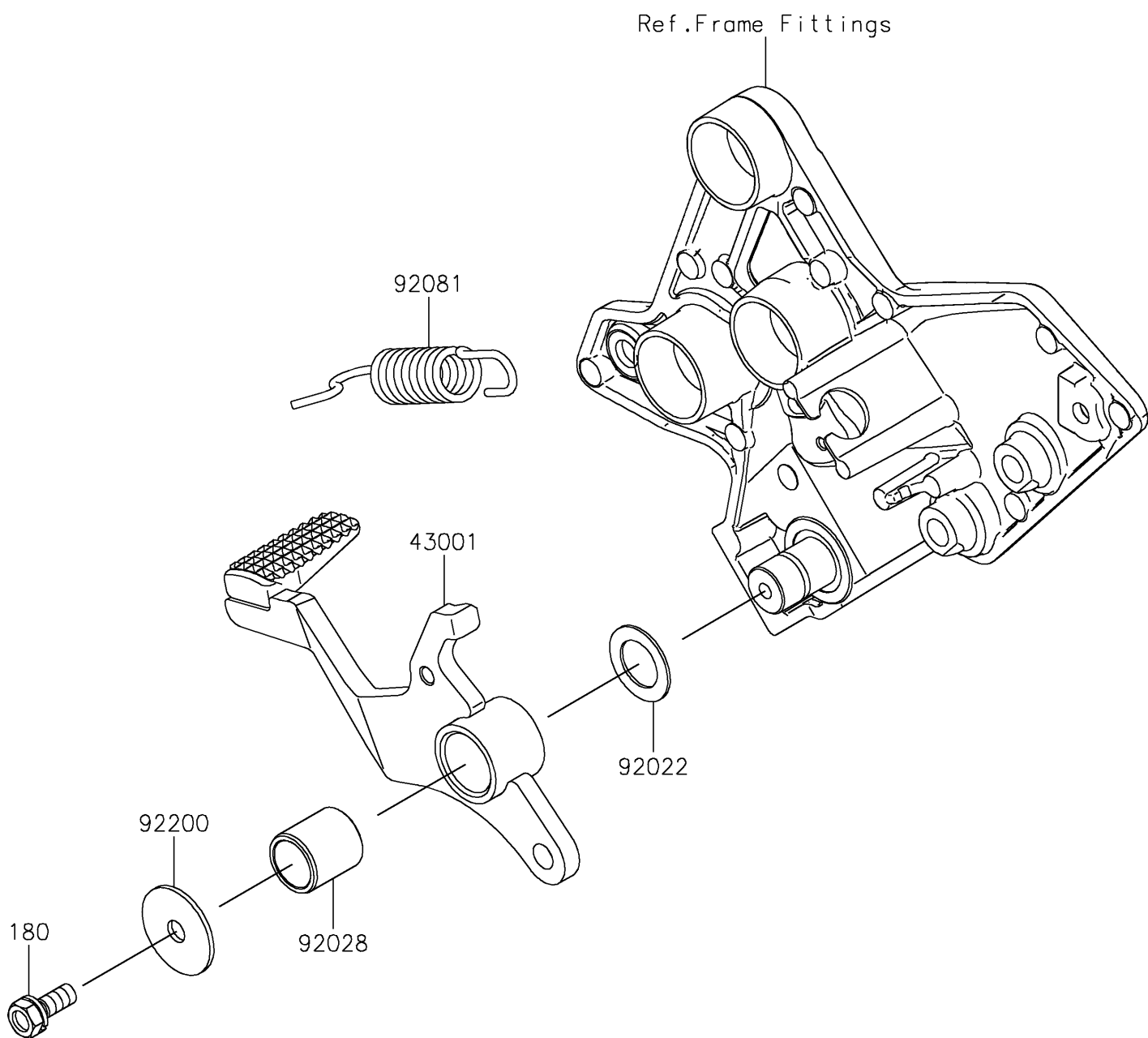


2019 PARTS DIAGRAM

Brake Pedal

F2260



2019 PARTS LIST

Brake Pedal

| ITEM NAME | PART NUMBER | QUANTITY |
|-----------------------------------|-------------|----------|
| BOLT-UPSET-WS,6X16 (Ref # 180) | 180BA0616 | 1 |
| LEVER-BRAKE,PEDAL (Ref # 43001) | 43001-0761 | 1 |
| WASHER,15.3X24X1 (Ref # 92022) | 92022-326 | 1 |
| BUSHING,BRAKE PEDAL (Ref # 92028) | 92028-1282 | 1 |
| SPRING,BRAKE PEDAL (Ref # 92081) | 92081-1833 | 1 |
| WASHER,7X28X1.6 (Ref # 92200) | 92200-0279 | 1 |