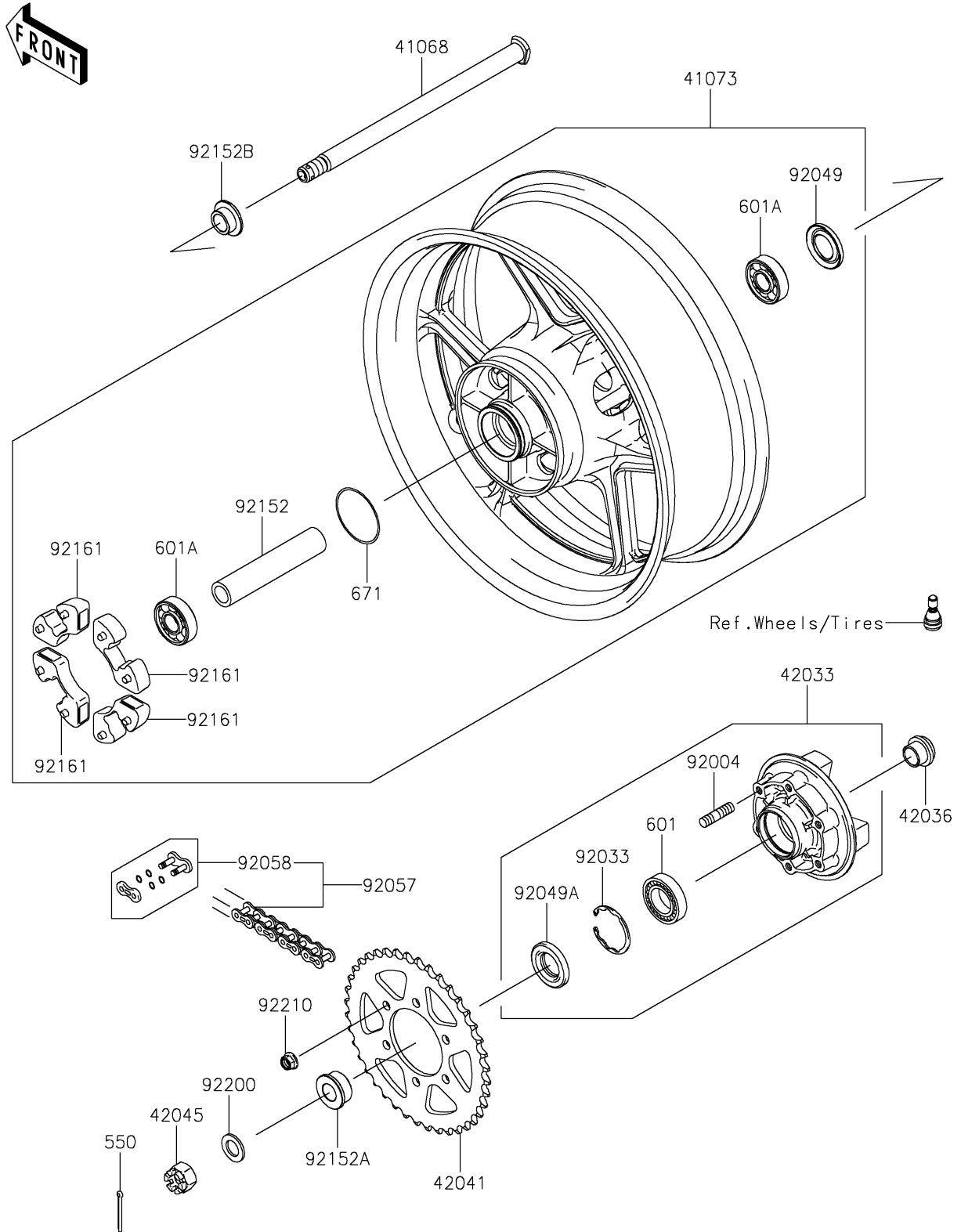


2019 PARTS DIAGRAM

Rear Hub

F2240



2019 PARTS LIST

Rear Hub

ITEM NAME	PART NUMBER	QUANTITY
AXLE,RR (Ref # 41068)	41068-0040	1
WHEEL-ASSY,RR,G.BLACK (Ref # 41073)	41073-0733-18F	1
COUPLING-ASSY,RR HUB (Ref # 42033)	42033-0028	1
SLEEVE,RR HUB,L=23 (Ref # 42036)	42036-1251	1
SPROCKET-HUB,43T (Ref # 42041)	42041-1467	1
NUT,CASTLE,18MM (Ref # 42045)	42045-018	1
PIN-COTTER,4.0X40 (Ref # 550)	550AA4040	1
BEARING-BALL (Ref # 601)	601B6205UU	1
BEARING-BALL,#6304UUC3 (Ref # 601A)	601B6304UU	1
O RING,60MM (Ref # 671)	671B2560	1
STUD,10X19 (Ref # 92004)	92004-0028	1
RING-SNAP,52MM (Ref # 92033)	92033-1043	1
SEAL-OIL,27X52X5 (Ref # 92049)	92049-0723	1
SEAL-OIL (Ref # 92049A)	92049-1287	1
CHAIN,DRIVE,EK525XE,116L (Ref # 92057)	92057-0749	1
JOINT-CHAIN (Ref # 92058)	92058-0060	1
COLLAR,RR HUB,L=144.5 (Ref # 92152)	92152-0088	1
COLLAR,RR AXLE,LH,L=18 (Ref # 92152A)	92152-0118	1
COLLAR,RR AXLE,RH,20X28X14.5 (Ref # 92152B)	92152-0876	1
DAMPER,SHOCK,RR HUB (Ref # 92161)	92161-0342	1
WASHER,19X32X2.6 (Ref # 92200)	92200-1489	1
NUT,LOCK,FLANGED,10MM (Ref # 92210)	92210-0276	1