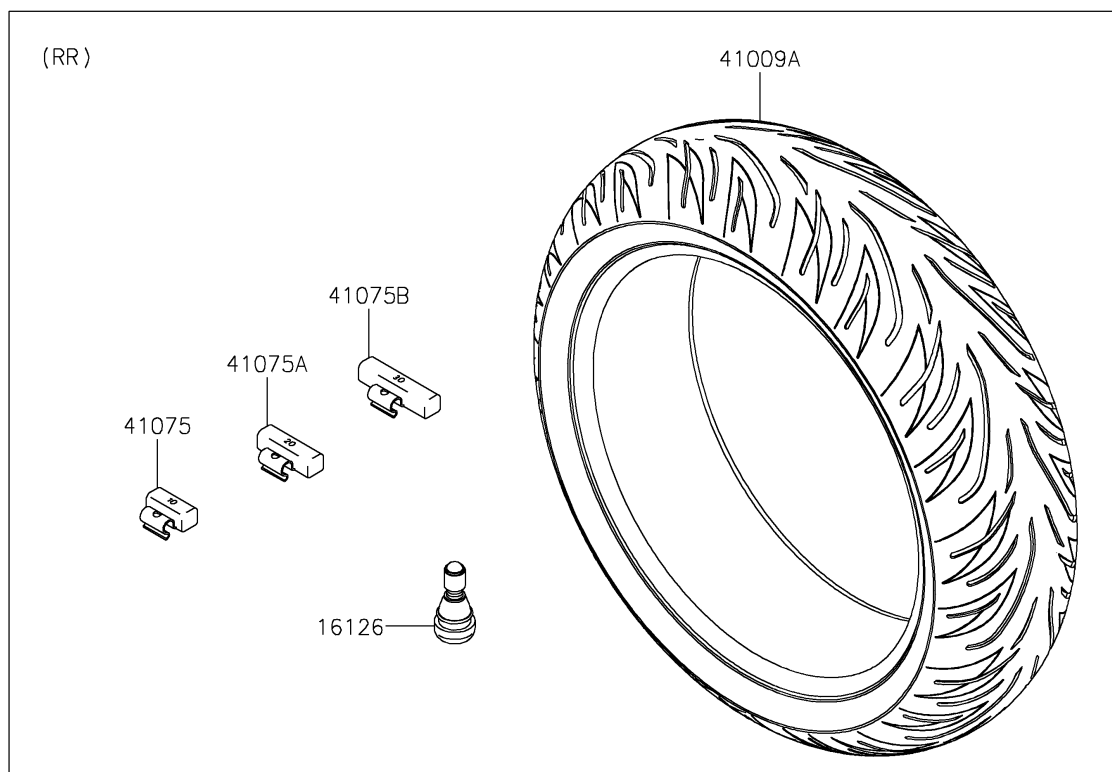
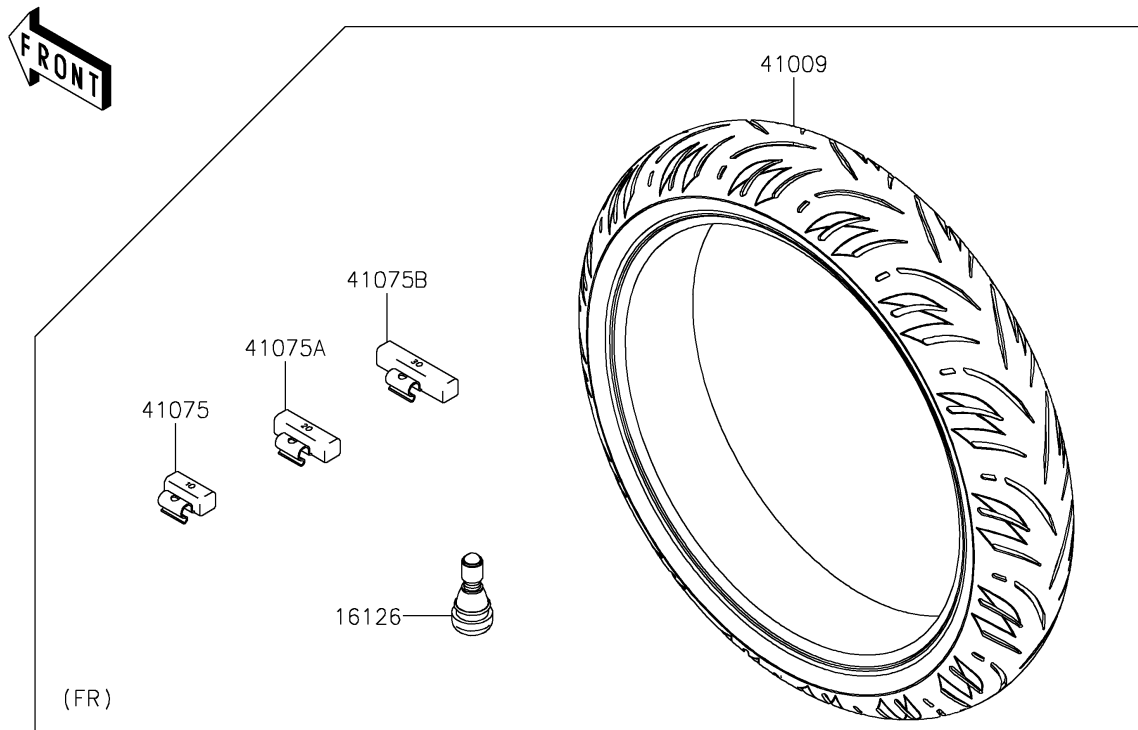


2019 PARTS DIAGRAM

Wheels/Tires

F2210



2019 PARTS LIST

Wheels/Tires

ITEM NAME	PART NUMBER	QUANTITY
VALVE,TIRE (Ref # 16126)	16126-1140	1
TIRE,FR,120/70ZR17 58W,T30FZ (Ref # 41009)	41009-0805	1
TIRE,RR,180/55ZR17 73W,T31RGZ (Ref # 41009A)	41009-0806	1
BALANCER-WHEEL,10G,SILVER (Ref # 41075)	41075-0007	1
BALANCER-WHEEL,20G,SILVER (Ref # 41075A)	41075-0008	1
BALANCER-WHEEL,30G,SILVER (Ref # 41075B)	41075-0009	1