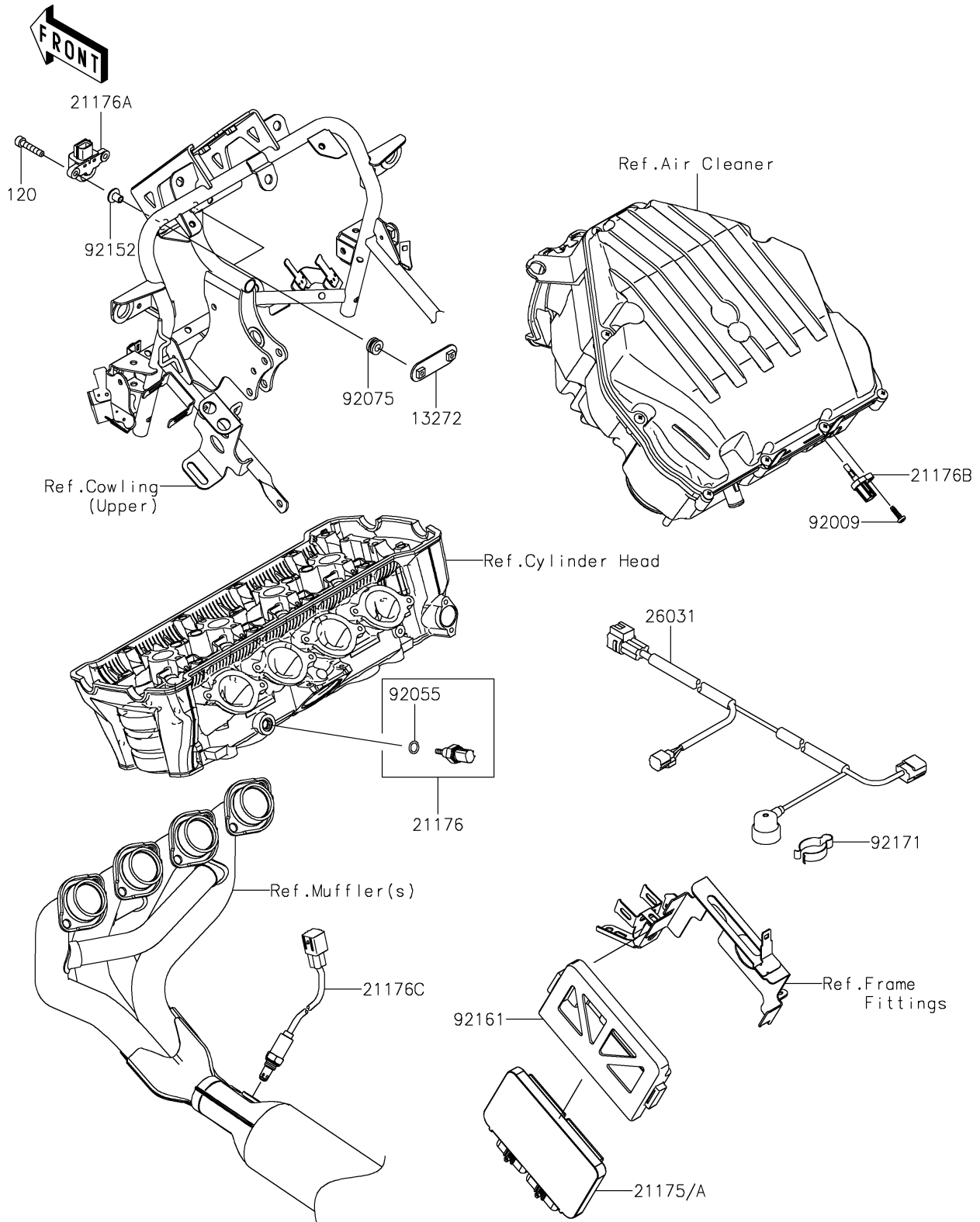


2019 PARTS DIAGRAM

Fuel Injection

E1530



2019 PARTS LIST

Fuel Injection

ITEM NAME	PART NUMBER	QUANTITY
BOLT-SOCKET,5X25 (Ref # 120)	120CA0525	1
PLATE,VEHICLE DOWN SENSOR (Ref # 13272)	13272-2706	1
CONTROL UNIT-ELECTRONIC (Ref # 21175)	21175-1416	1
CONTROL UNIT-ELECTRONIC (Ref # 21175A)	21175-1506	1
SENSOR,WATER TEMP (Ref # 21176)	21176-0009	1
SENSOR,VEHICLE-DOWN (Ref # 21176A)	21176-0026	1
SENSOR,AIR TEMPERATURE (Ref # 21176B)	21176-0048	1
SENSOR,OXYGEN (Ref # 21176C)	21176-0885	1
HARNESS,SUB (Ref # 26031)	26031-2470	1
SCREW,TAPPING,5X16 (Ref # 92009)	92009-1984	1
RING-O,9.5X1.9 (Ref # 92055)	92055-0016	1
DAMPER (Ref # 92075)	92075-1912	1
COLLAR (Ref # 92152)	92152-1625	1
DAMPER,ECU (Ref # 92161)	92161-2140	1
CLAMP,CABLE (Ref # 92171)	92171-1283	1