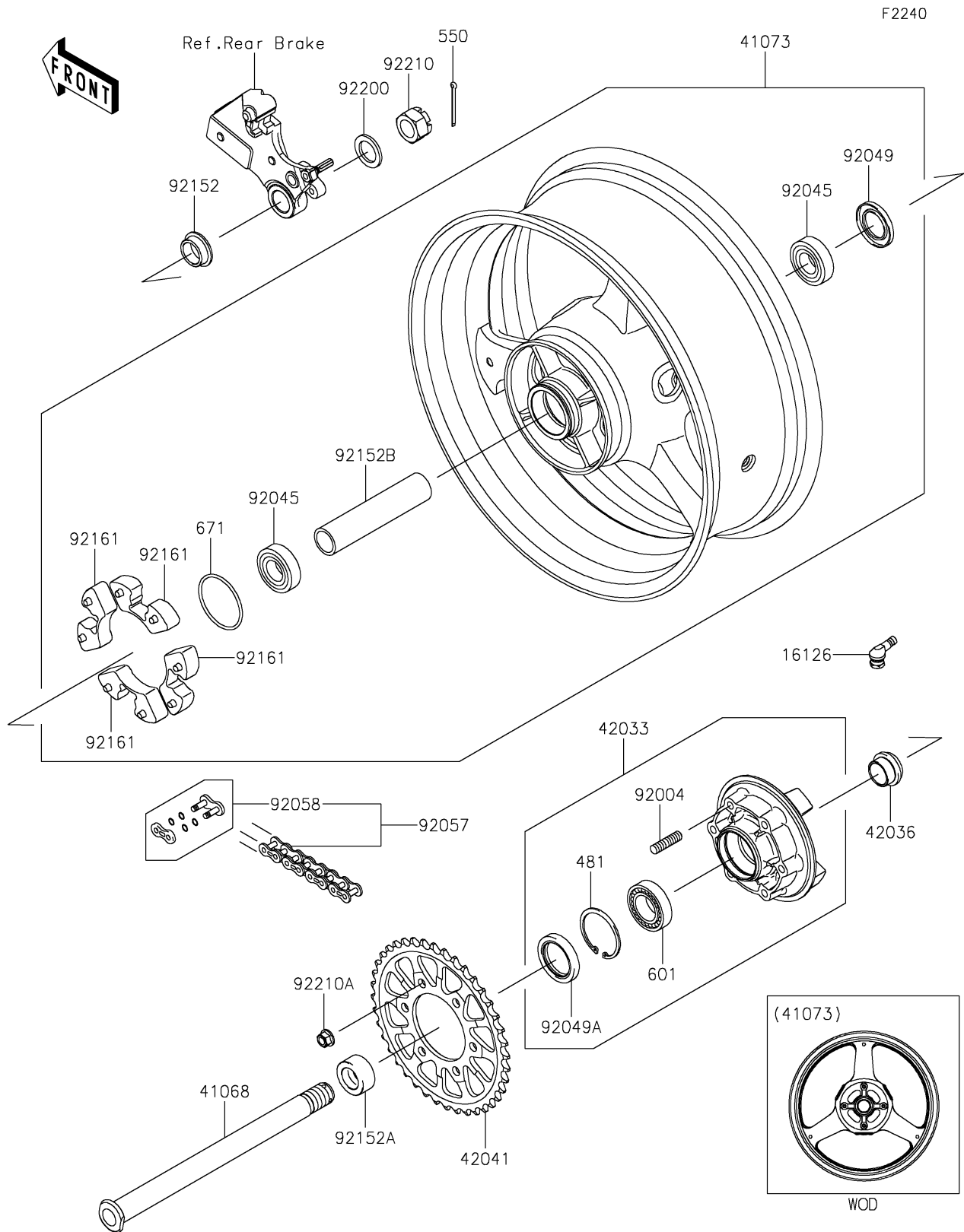


## 2019 NINJA® ZX™10R ABS PARTS DIAGRAM

Rear Wheel/Chain



## 2019 NINJA® ZX™10R ABS PARTS LIST

Rear Wheel/Chain

| ITEM NAME                                   | PART NUMBER    | QUANTITY |
|---|----------------|----------|
| VALVE (Ref # 16126)                         | 16126-0735     | 1        |
| AXLE,RR,24X326 (Ref # 41068)                | 41068-0613     | 1        |
| WHEEL-ASSY,RR,G.BLACK (Ref # 41073)         | 41073-0758-18F | 1        |
| COUPLING-ASSY,RR HUB (Ref # 42033)          | 42033-0038     | 1        |
| SLEEVE,RR HUB,L=22 (Ref # 42036)            | 42036-1279     | 1        |
| SPROCKET-HUB,39T (Ref # 42041)              | 42041-0096     | 1        |
| CIRCLIP (Ref # 481)                         | 481J5500       | 1        |
| PIN-COTTER,4.0X45 (Ref # 550)               | 550AA4045      | 1        |
| BEARING-BALL,#6006G (Ref # 601)             | 601B6006G      | 1        |
| O RING,60MM (Ref # 671)                     | 671B2560       | 1        |
| STUD,10X19 (Ref # 92004)                    | 92004-0028     | 1        |
| BEARING-BALL,25X52X15 (Ref # 92045)         | 92045-0804     | 1        |
| SEAL-OIL,31X52X5 (Ref # 92049)              | 92049-0722     | 1        |
| SEAL-OIL,PJN 40 55 8 (Ref # 92049A)         | 92049-1376     | 1        |
| CHAIN,DRIVE,EK525RMX3/3D,114L (Ref # 92057) | 92057-0672     | 1        |
| JOINT-CHAIN (Ref # 92058)                   | 92058-0041     | 1        |
| COLLAR,25X32X13 (Ref # 92152)               | 92152-0289     | 1        |
| COLLAR,25X40X18.7 (Ref # 92152A)            | 92152-0867     | 1        |
| COLLAR (Ref # 92152B)                       | 92152-0868     | 1        |
| DAMPER,SHOCK,RR HUB (Ref # 92161)           | 92161-0342     | 1        |
| WASHER,25.5X38X3.2 (Ref # 92200)            | 92200-0278     | 1        |
| NUT,CASTLE,24MM (Ref # 92210)               | 92210-0280     | 1        |
| NUT,LOCK,FLANGED,10MM (Ref # 92210A)        | 92210-1139     | 1        |