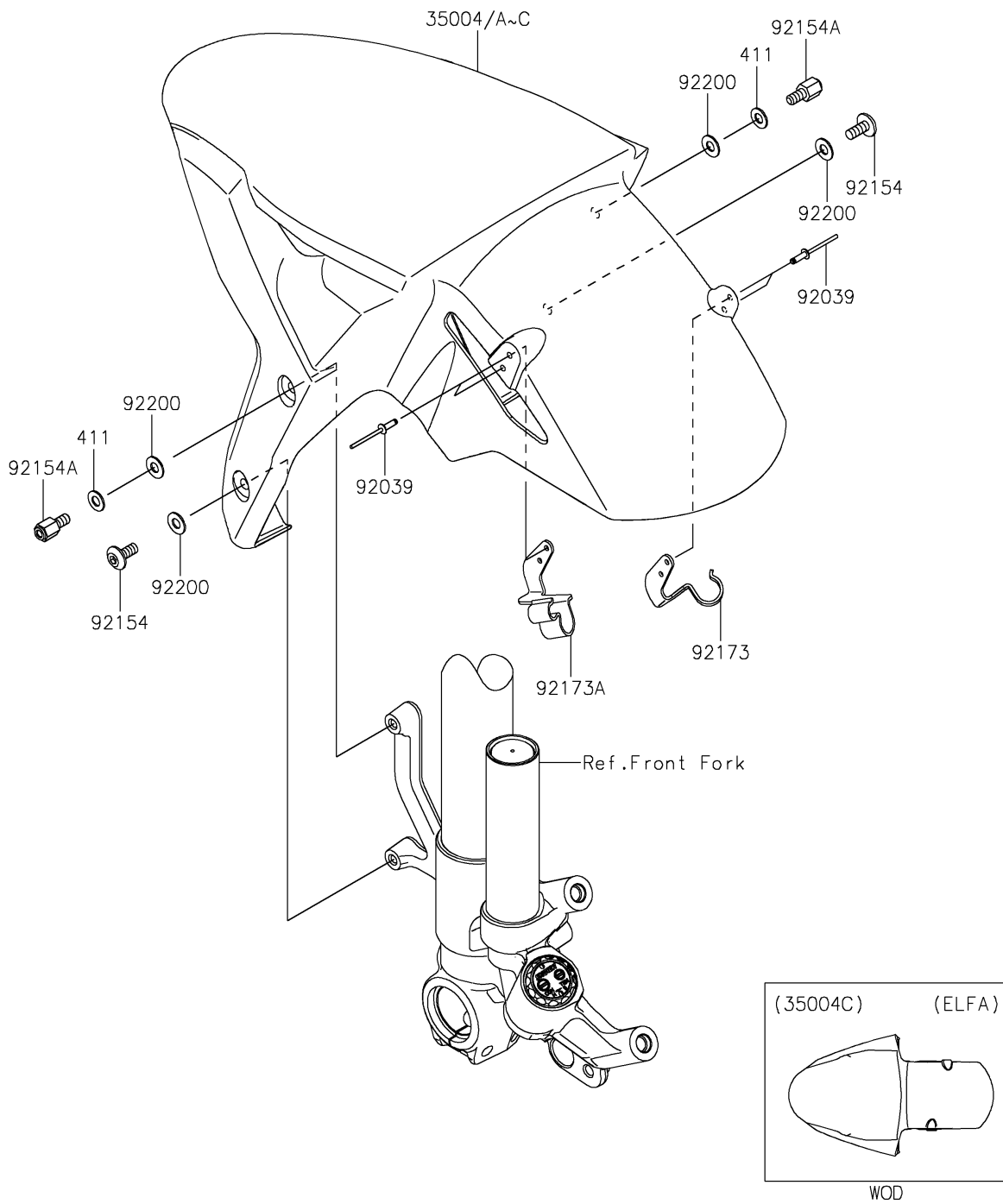


2019 NINJA® ZX™10R ABS PARTS DIAGRAM

Front Fender(s)

F2171



2019 NINJA® ZX™10R ABS PARTS LIST

Front Fender(s)

ITEM NAME	PART NUMBER	QUANTITY
FENDER-FRONT,P.S.GRAY (Ref # 35004)	35004-0362-36S	1
WASHER-PLAIN,6MM (Ref # 411)	411AB0600	1
RIVET,3.2X9.5 (Ref # 92039)	92039-0752	1
BOLT,SOCKET,6X14 (Ref # 92154)	92154-1735	1
BOLT,6X12 (Ref # 92154A)	92154-1908	1
CLAMP,FENDER,RH (Ref # 92173)	92173-1481	1
CLAMP,FENDER,LH (Ref # 92173A)	92173-1493	1
WASHER,6.5X14X1 (Ref # 92200)	92200-1388	1