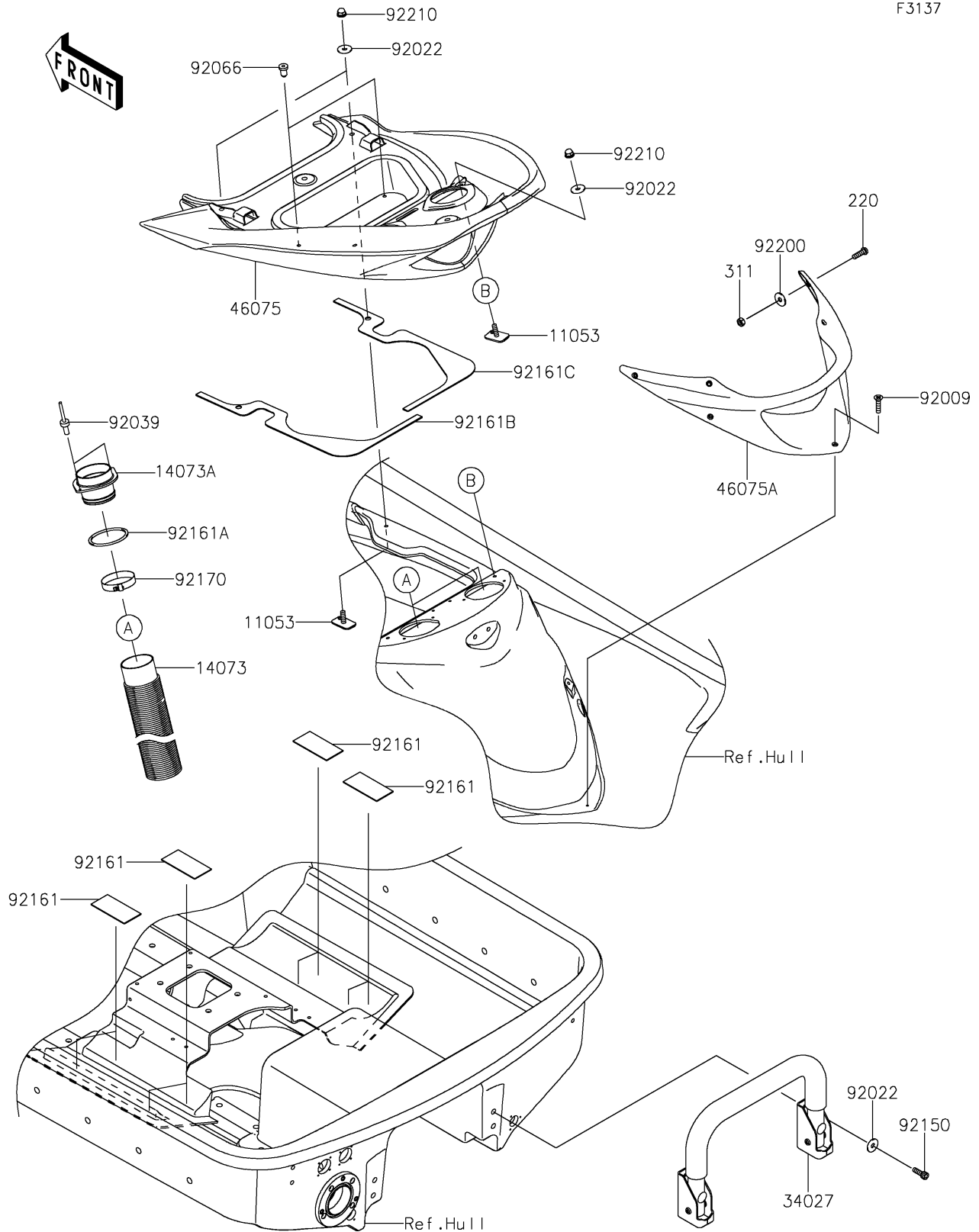


2019 Jet Ski® Ultra® 310X PARTS DIAGRAM

Hull Rear Fittings

F3137



2019 Jet Ski® Ultra® 310X PARTS LIST

Hull Rear Fittings

| ITEM NAME | PART NUMBER | QUANTITY |
|----------------------------------|-------------|----------|
| BRACKET (Ref # 11053) | 11053-3776 | 1 |
| DUCT,L=800 (Ref # 14073) | 14073-0878 | 1 |
| DUCT (Ref # 14073A) | 14073-3805 | 1 |
| SCREW-PAN-CROS,6X20 (Ref # 220) | 220R0620 | 1 |
| NUT-HEX,6MM (Ref # 311) | 311AA0600 | 1 |
| STEP-ASSY (Ref # 34027) | 34027-0067 | 1 |
| GRIP,RR (Ref # 46075) | 46075-0589 | 1 |
| GRIP,HANDLE (Ref # 46075A) | 46075-3765 | 1 |
| SCREW,TAPPING,6X20 (Ref # 92009) | 92009-3842 | 1 |
| WASHER,6.5X20X1.5 (Ref # 92022) | 92022-3710 | 1 |
| RIVET (Ref # 92039) | 92039-3775 | 1 |
| PLUG (Ref # 92066) | 92066-3773 | 1 |
| BOLT,SOCKET,6X18 (Ref # 92150) | 92150-3775 | 1 |
| DAMPER (Ref # 92161) | 92161-3728 | 1 |
| DAMPER (Ref # 92161A) | 92161-3769 | 1 |
| DAMPER (Ref # 92161B) | 92161-3781 | 1 |
| DAMPER (Ref # 92161C) | 92161-3782 | 1 |
| CLAMP (Ref # 92170) | 92170-1679 | 1 |
| WASHER,6.5X20X1.6 (Ref # 92200) | 92200-0283 | 1 |
| NUT,CAP,6MM (Ref # 92210) | 92210-3785 | 1 |