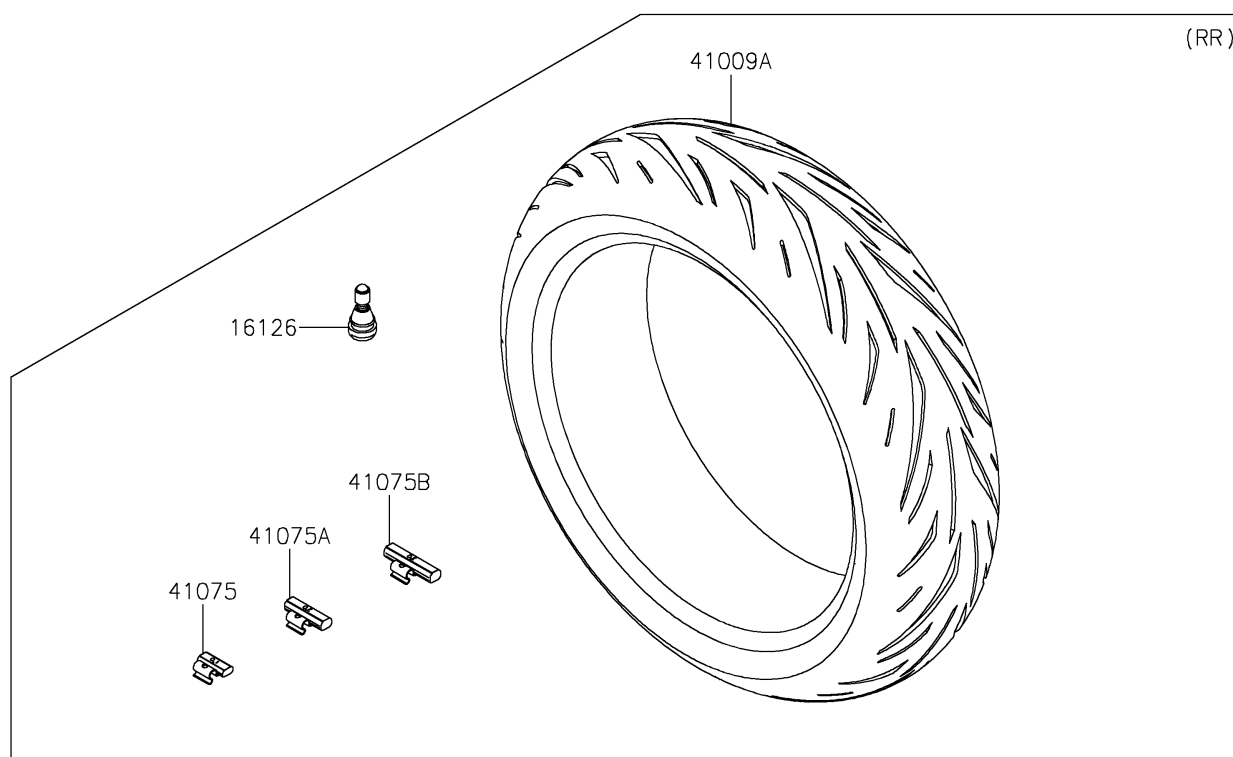
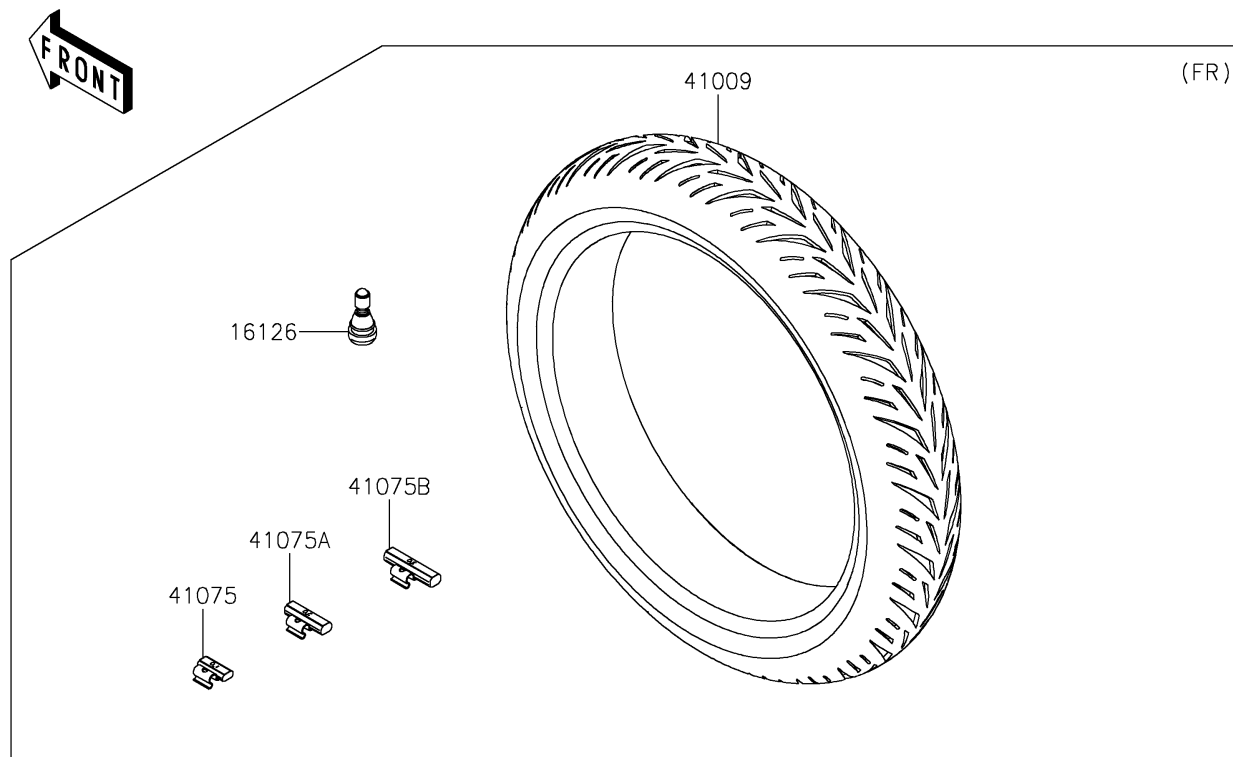


2019 NINJA® ZX™-6R ABS PARTS DIAGRAM

Tires

F2210



2019 NINJA® ZX™-6R ABS PARTS LIST

Tires

| ITEM NAME | PART NUMBER | QUANTITY |
|---|-------------|----------|
| VALVE,TIRE (Ref # 16126) | 16126-1140 | 1 |
| TIRE,FR,120/70ZR17(58W),S22F (Ref # 41009) | 41009-0801 | 1 |
| TIRE,RR,180/55ZR17(73W),S22R (Ref # 41009A) | 41009-0802 | 1 |
| BALANCER-WHEEL,10G,SILVER (Ref # 41075) | 41075-0007 | 1 |
| BALANCER-WHEEL,20G,SILVER (Ref # 41075A) | 41075-0008 | 1 |
| BALANCER-WHEEL,30G,SILVER (Ref # 41075B) | 41075-0009 | 1 |