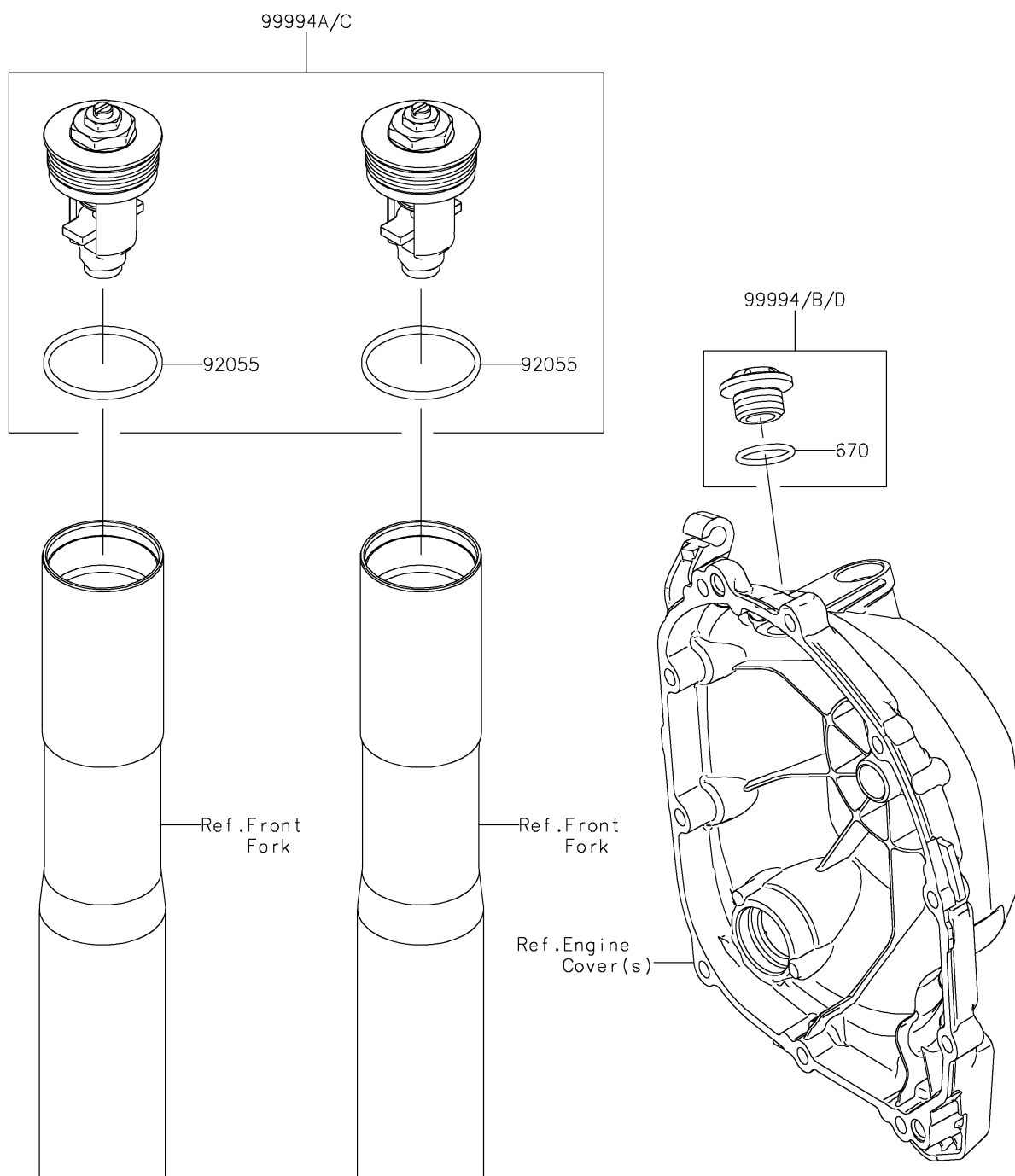


2019 PARTS DIAGRAM

Accessory(Cap)

F2910G



2019 PARTS LIST

Accessory(Cap)

ITEM NAME	PART NUMBER	QUANTITY
O RING,20MM (Ref # 670)	670B2020	1
RING-O (Ref # 92055)	92055-0145	1
KIT-ACC,OIL FILLER CAP,WHITE (Ref # 99994)	99994-1018	1
KIT-ACCESSORY,FORK CAP(BLACK) (Ref # 99994A)	99994-1019	1
KIT-ACC,OIL FILLER CAP,GOLD (Ref # 99994B)	99994-1106	1
KIT-ACCESSORY,FORK CAP(GOLD) (Ref # 99994C)	99994-1108	1
KIT-ACC,OIL FILLER CAP,BLACK (Ref # 99994D)	99994-1229	1