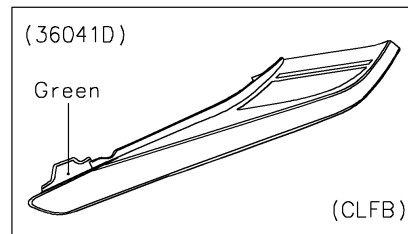
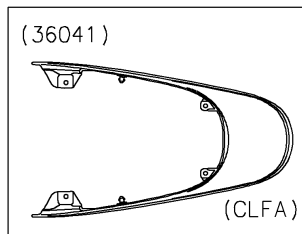
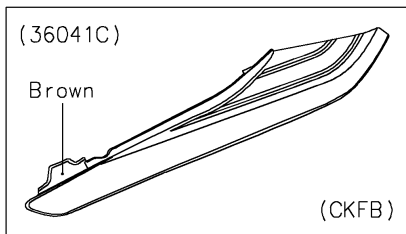
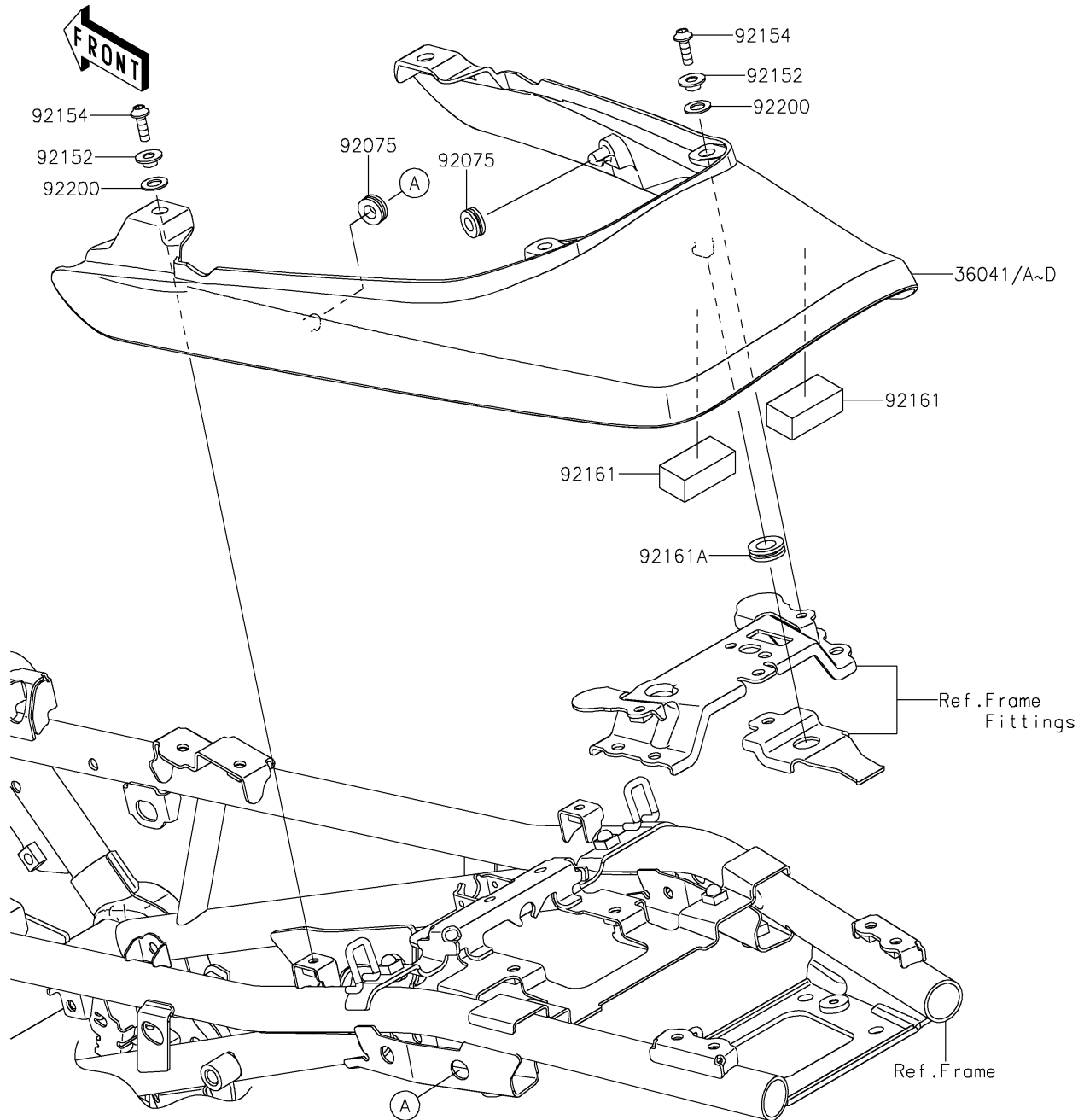


## 2019 PARTS DIAGRAM

Seat Cover

F2612



## 2019 PARTS LIST

Seat Cover

| ITEM NAME                           | PART NUMBER    | QUANTITY |
|-------------------------------------|----------------|----------|
| COVER-TAIL,M.S.BLACK (Ref # 36041A) | 36041-0049-660 | 1        |
| DAMPER (Ref # 92075)                | 92075-161      | 1        |
| COLLAR,5.6X8X5.45 (Ref # 92152)     | 92152-2537     | 1        |
| BOLT,SOCKET,5X16 (Ref # 92154)      | 92154-1701     | 1        |
| DAMPER,20X40X15 (Ref # 92161)       | 92161-1608     | 1        |
| DAMPER,10X20X6 (Ref # 92161A)       | 92161-2168     | 1        |
| WASHER,8.2X15X1 (Ref # 92200)       | 92200-0742     | 1        |