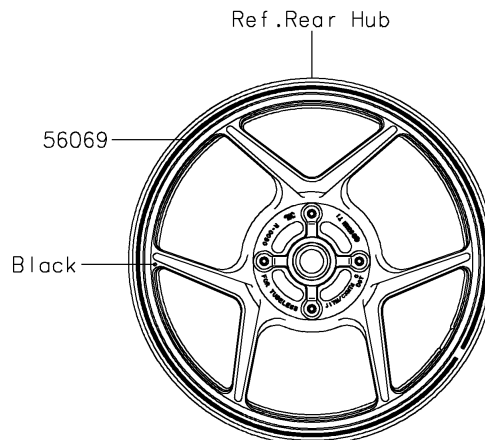
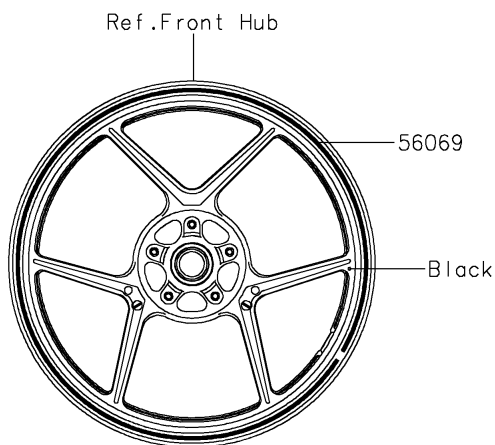
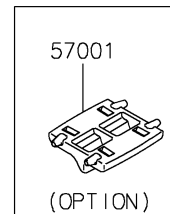
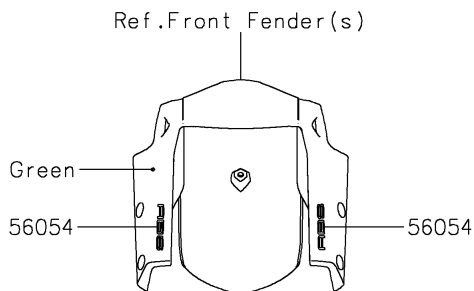
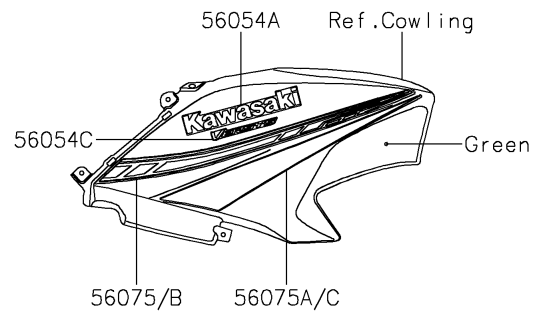
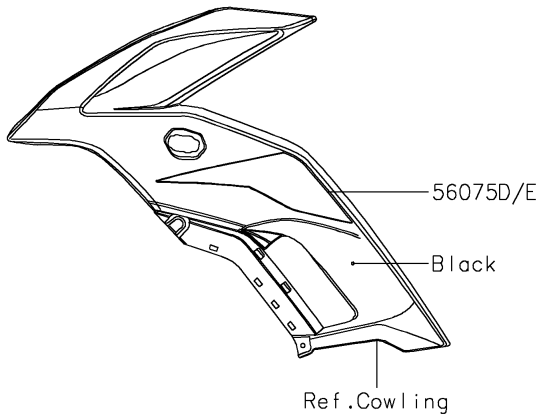
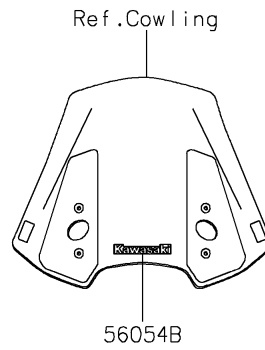
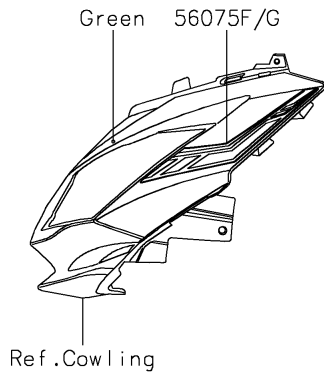


## 2019 PARTS DIAGRAM

Decals(Green)(FKF)



## 2019 PARTS LIST

Decals(Green)(FKF)

ITEM NAME	PART NUMBER	QUANTITY
MARK,FR FENDER,ABS (Ref # 56054)	56054-1412	1
MARK,TANK SIDE COWL.,KAWASAKI (Ref # 56054A)	56054-1685	1
MARK,WINDSHIELD,KAWASAKI (Ref # 56054B)	56054-2177	1
MARK,TANK SIDE COWL.,VERSYS (Ref # 56054C)	56054-2290	1
PATTERN,WHEEL,GREEN,4X1353 (Ref # 56069)	56069-7822	1
PATTERN,TANK SIDE COWL.,LH,UPP (Ref # 56075)	56075-7292	1
PATTERN,TANK SIDE COWL.,LH,LWR (Ref # 56075A)	56075-7293	1
PATTERN,TANK SIDE COWL.,RH,UPP (Ref # 56075B)	56075-7294	1
PATTERN,TANK SIDE COWL.,RH,LWR (Ref # 56075C)	56075-7295	1
PATTERN,SIDE COWL.,LH (Ref # 56075D)	56075-7296	1
PATTERN,SIDE COWL.,RH (Ref # 56075E)	56075-7297	1
PATTERN,UPP COWL.,LH (Ref # 56075F)	56075-7298	1
PATTERN,UPP COWL.,RH (Ref # 56075G)	56075-7299	1
RIM STRIPE APPLICATOR (Ref # 57001)	57001-1752	1