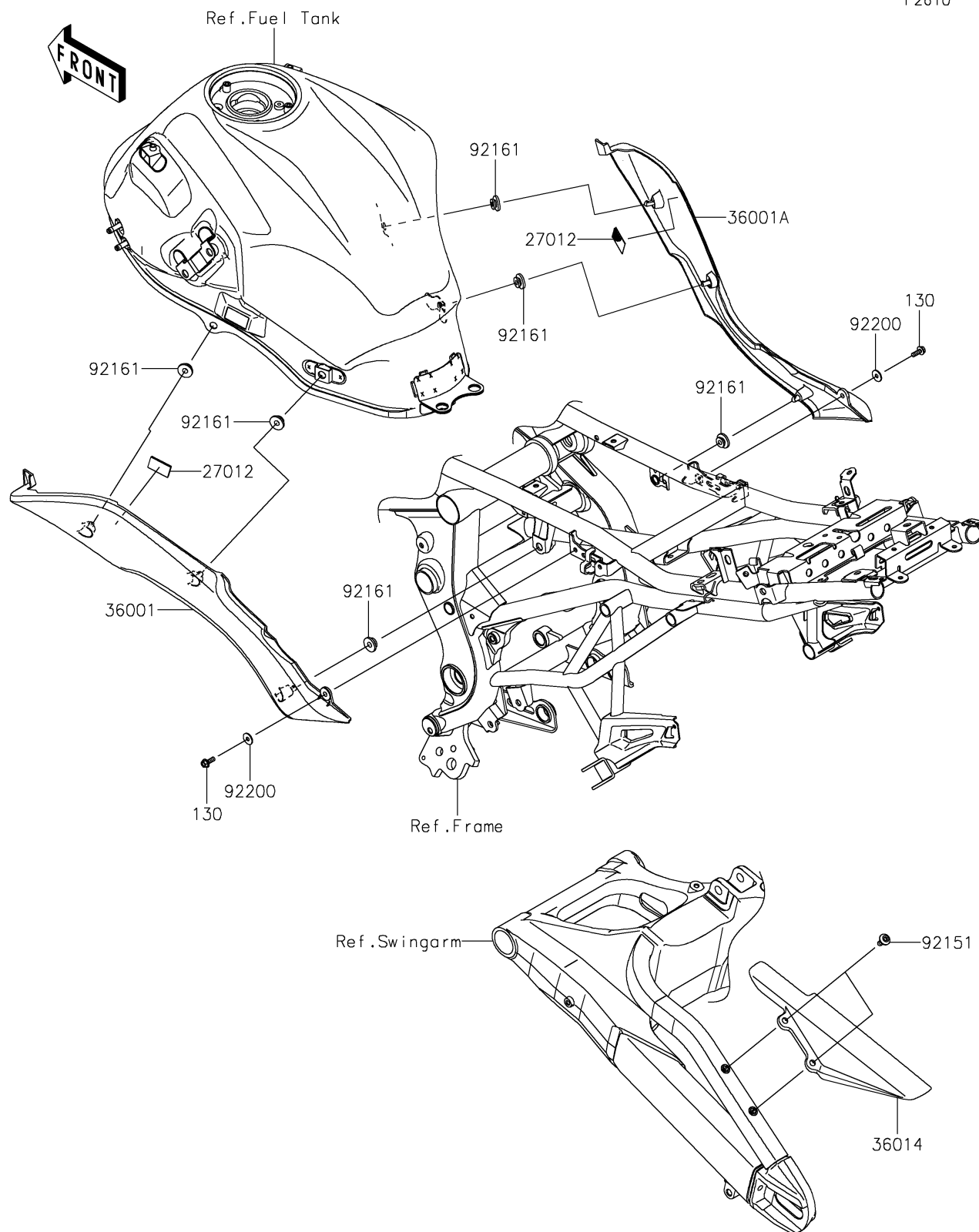


2019 PARTS DIAGRAM

Side Covers/Chain Cover

F2610



2019 PARTS LIST

Side Covers/Chain Cover

ITEM NAME	PART NUMBER	QUANTITY
BOLT-FLANGED,5X14 (Ref # 130)	130BA0514	1
HOOK (Ref # 27012)	27012-0751	1
COVER-SIDE,LH (Ref # 36001)	36001-0612	1
COVER-SIDE,RH (Ref # 36001A)	36001-0613	1
CASE-CHAIN,RR (Ref # 36014)	36014-0018	1
BOLT,SOCKET,6X14 (Ref # 92151)	92151-1654	1
DAMPER (Ref # 92161)	92161-1531	1
WASHER,5.2X16X1.2 (Ref # 92200)	92200-0583	1