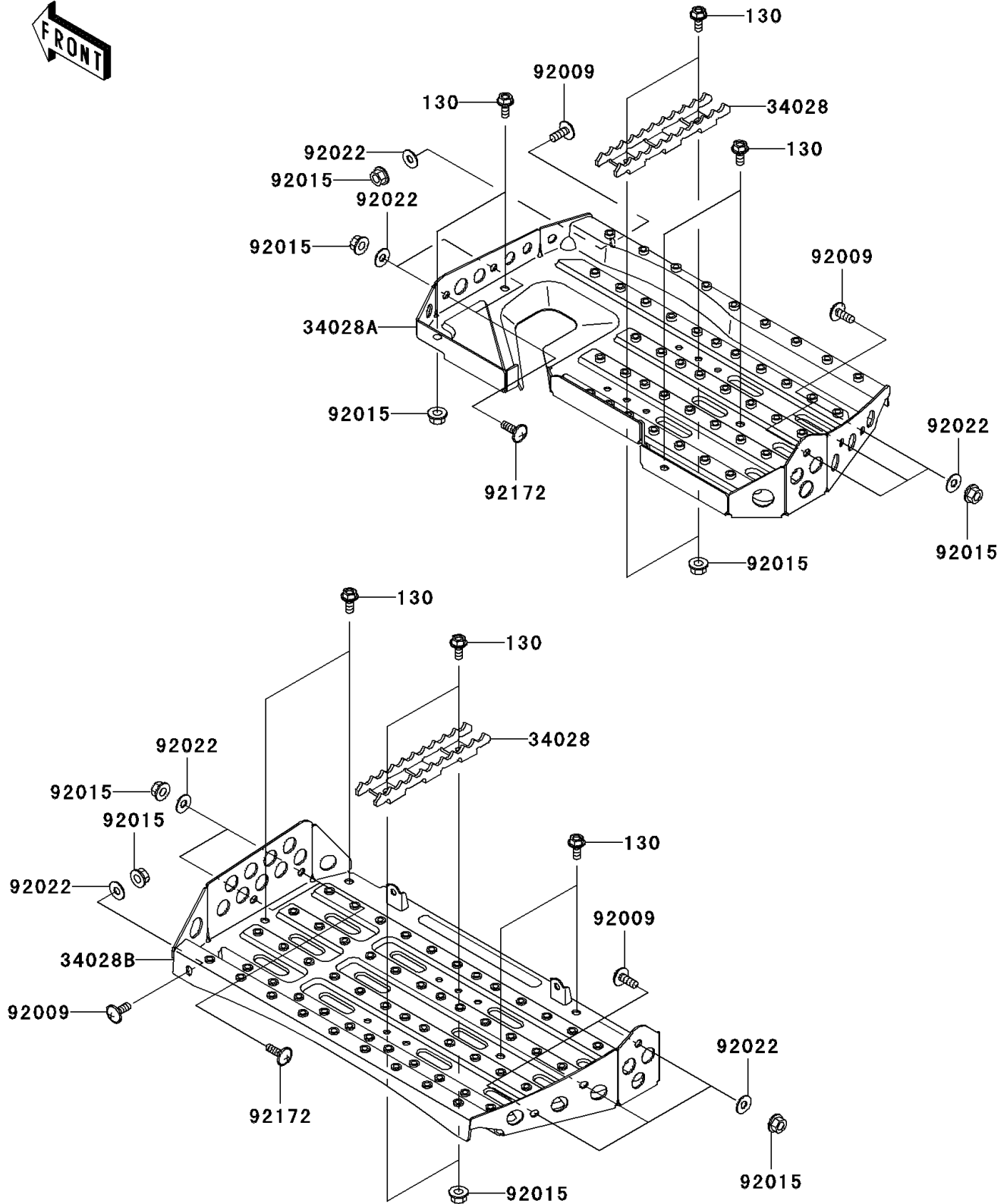


2005 Prairie® 700 4x4 Team Green™ Special Edition PARTS DIAGRAM

Footrests

F2160



2005 Prairie® 700 4x4 Team Green™ Special Edition PARTS LIST

Footrests

ITEM NAME	PART NUMBER	QUANTITY
BOLT-FLANGED,6X14 (Ref # 130)	130J0614	1
STEP,FOOT PEG,BLACK (Ref # 34028)	34028-1487-10	1
STEP,RH,BLACK (Ref # 34028A)	34028-1513-10	1
STEP,LH,BLACK (Ref # 34028B)	34028-1521-10	1
SCREW,6X16 (Ref # 92009)	92009-1621	1
NUT,FLANGED,6MM (Ref # 92015)	92015-1367	1
WASHER,6.5X16X1.0 (Ref # 92022)	92022-1093	1
SCREW,6X18 (Ref # 92172)	92172-0002	1