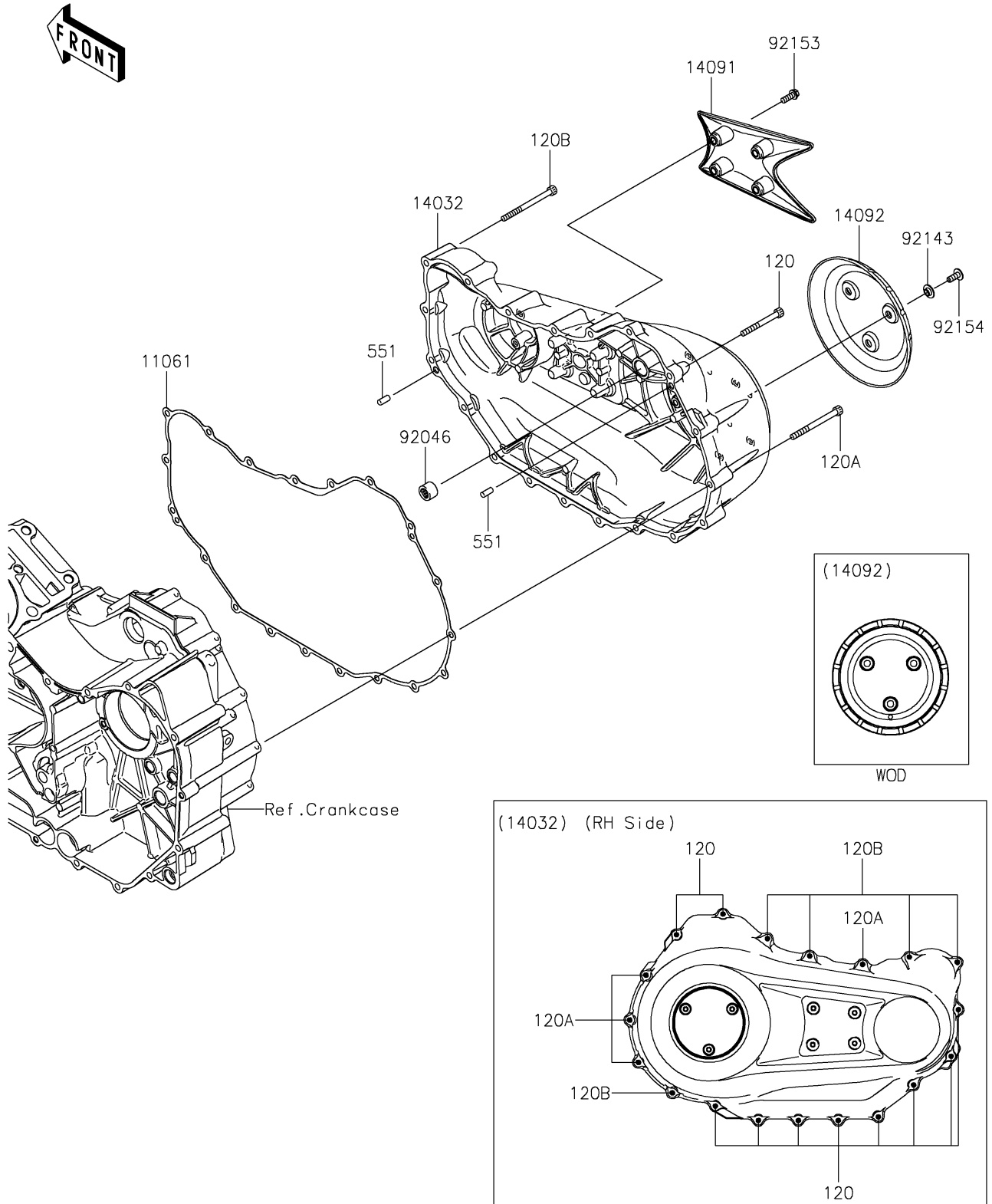


2018 Vulcan® 1700 Voyager® ABS PARTS DIAGRAM

Right Engine Cover(s)

E1436



2018 Vulcan® 1700 Voyager® ABS PARTS LIST

Right Engine Cover(s)

ITEM NAME	PART NUMBER	QUANTITY
GASKET,CLUTCH COVER (Ref # 11061)	11061-0337	1
BOLT-SOCKET,6X50 (Ref # 120)	120CC0650	1
BOLT-SOCKET,6X65 (Ref # 120A)	120CC0665	1
BOLT-SOCKET,6X75 (Ref # 120B)	120CC0675	1
COVER-CLUTCH (Ref # 14032)	14032-0141	1
COVER,CLUTCH,OUTER (Ref # 14091)	14091-0995	1
COVER,CLUTCH OUTER (Ref # 14092)	14092-0033	1
PIN-DOWEL,6X14 (Ref # 551)	551A0614	1
BEARING-NEEDLE,HK1212V11 (Ref # 92046)	92046-1292	1
COLLAR (Ref # 92143)	92143-1087	1
BOLT,6X16 (Ref # 92153)	92153-0825	1
BOLT,SOCKET,6X16 (Ref # 92154)	92154-0257	1