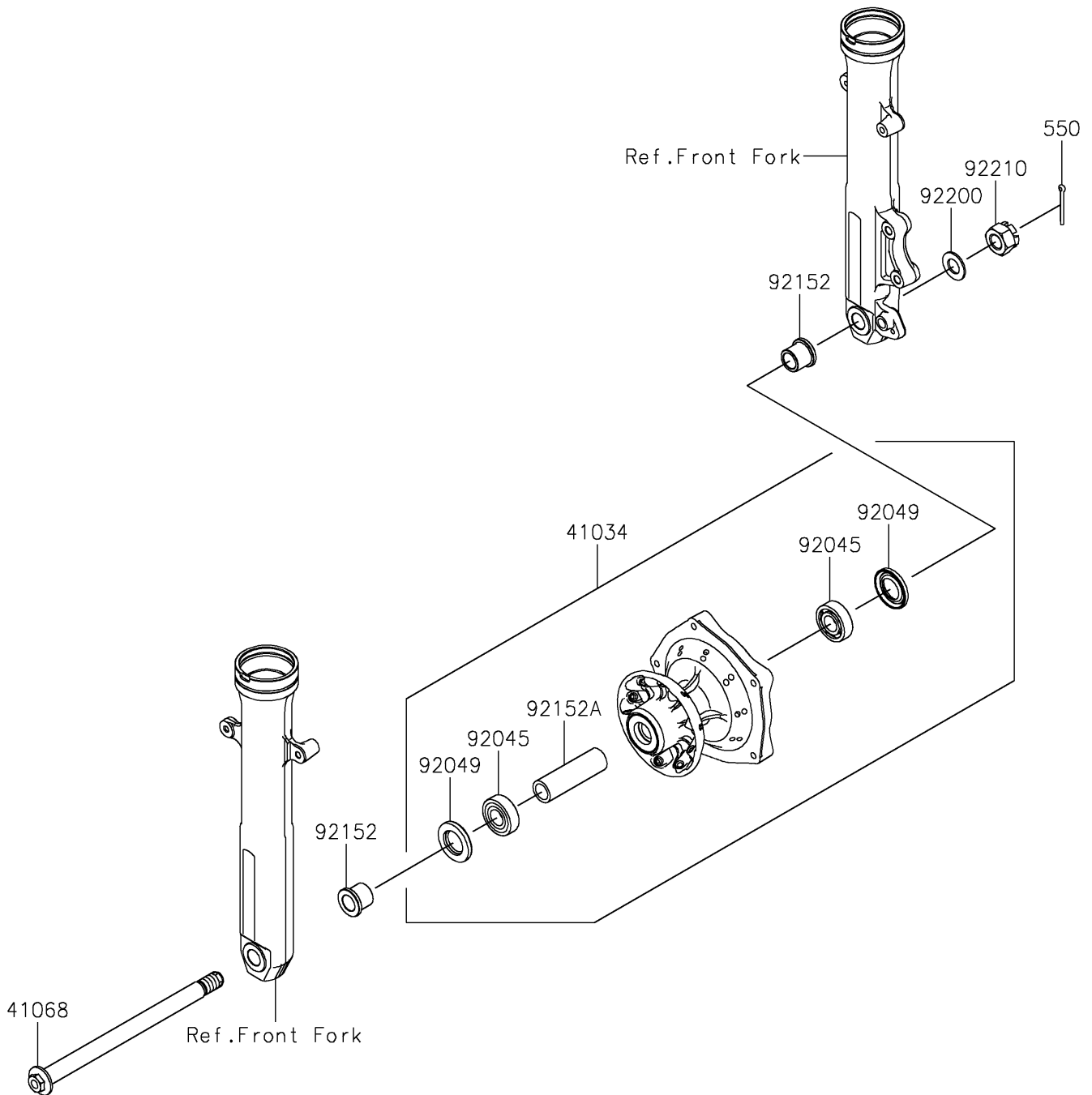


2017 PARTS DIAGRAM

Front Hub

F2230



2017 PARTS LIST

Front Hub

ITEM NAME	PART NUMBER	QUANTITY
DRUM-ASSY,FR BRAKE,P.SILVER (Ref # 41034)	41034-0587-458	1
AXLE,FR,17X249 (Ref # 41068)	41068-0623	1
PIN-COTTER,4.0X35 (Ref # 550)	550AA4035	1
BEARING-BALL,17X40X12 (Ref # 92045)	92045-0732	1
SEAL-OIL (Ref # 92049)	92049-0794	1
COLLAR,17X24X23 (Ref # 92152)	92152-2290	1
COLLAR (Ref # 92152A)	92152-2291	1
WASHER,16.2X30X2.0 (Ref # 92200)	92200-1842	1
NUT,CASTLE,16MM (Ref # 92210)	92210-1171	1