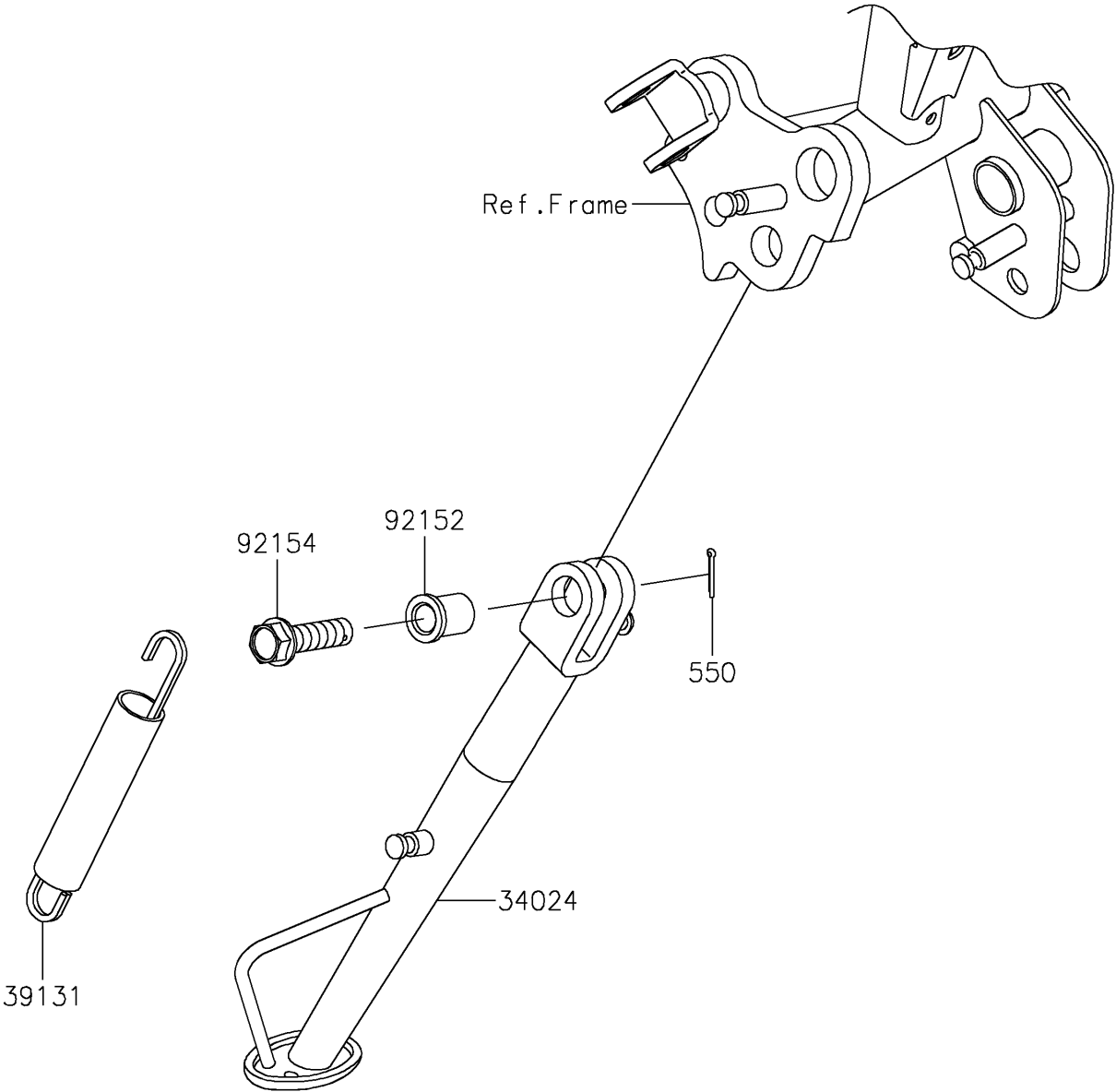


2017 PARTS DIAGRAM

Stand(s)

F2190



2017 PARTS LIST

Stand(s)

| ITEM NAME | PART NUMBER | QUANTITY |
|--------------------------------------|-------------|----------|
| STAND-SIDE (Ref # 34024) | 34024-0144 | 1 |
| SPRING-ASSY,SIDE STAND (Ref # 39131) | 39131-0002 | 1 |
| PIN-COTTER,2.0X15 (Ref # 550) | 550AA2015 | 1 |
| COLLAR,10.2X18X20.1 (Ref # 92152) | 92152-2299 | 1 |
| BOLT,FLANGED,10X37 (Ref # 92154) | 92154-1539 | 1 |