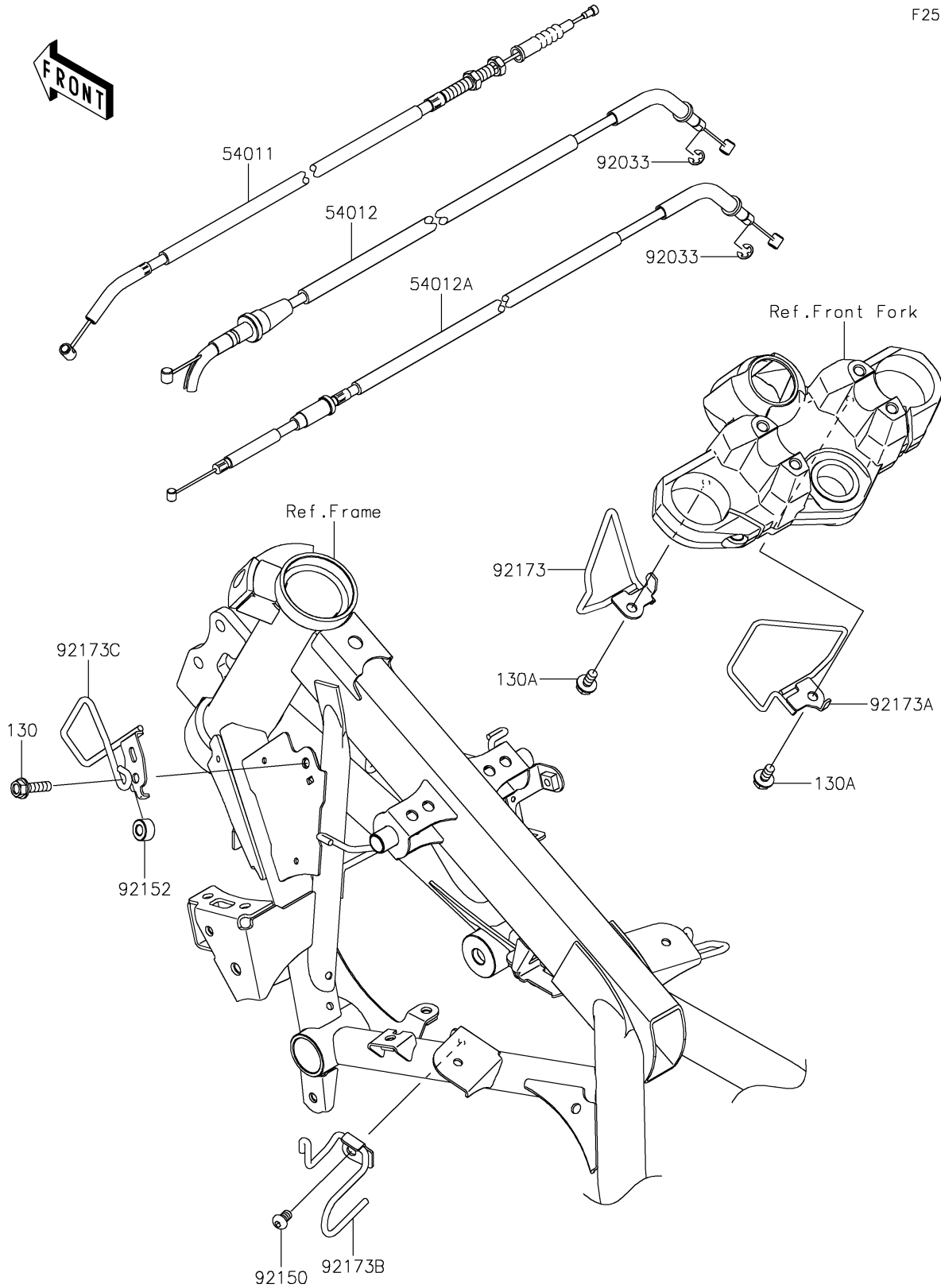


2017 PARTS DIAGRAM

Cables

F2540



2017 PARTS LIST

Cables

ITEM NAME	PART NUMBER	QUANTITY
BOLT-FLANGED,6X22 (Ref # 130)	130BA0622	1
BOLT-FLANGED,6X12 (Ref # 130A)	130BB0612	1
CABLE-CLUTCH (Ref # 54011)	54011-0622	1
CABLE-THROTTLE,OPENING (Ref # 54012)	54012-0650	1
CABLE-THROTTLE,CLOSING (Ref # 54012A)	54012-0651	1
RING-SNAP (Ref # 92033)	92033-0787	1
BOLT,6X10 (Ref # 92150)	92150-1577	1
COLLAR,6.5X14X8 (Ref # 92152)	92152-2352	1
CLAMP,UPP HOLDER,LH (Ref # 92173)	92173-1629	1
CLAMP,UPP HOLDER,RH (Ref # 92173A)	92173-1630	1
CLAMP,THROTTLE CABLE (Ref # 92173B)	92173-1631	1
CLAMP,CLUTCH CABLE (Ref # 92173C)	92173-1813	1