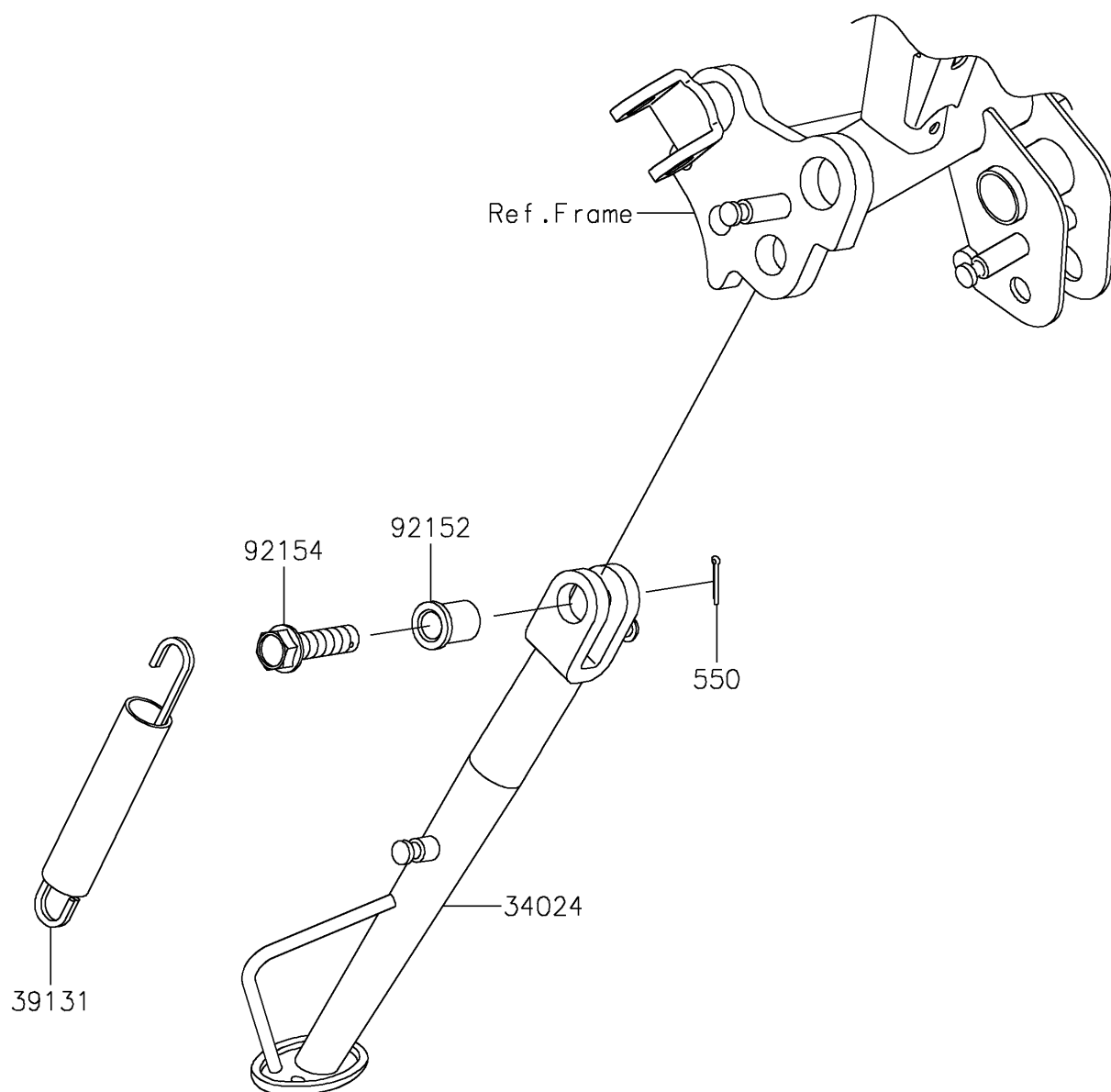


2017 PARTS DIAGRAM

Stand(s)

F2190



2017 PARTS LIST

Stand(s)

ITEM NAME	PART NUMBER	QUANTITY
STAND-SIDE (Ref # 34024)	34024-0144	1
SPRING-ASSY,SIDE STAND (Ref # 39131)	39131-0002	1
PIN-COTTER,2.0X15 (Ref # 550)	550AA2015	1
COLLAR,10.2X18X20.1 (Ref # 92152)	92152-2299	1
BOLT,FLANGED,10X37 (Ref # 92154)	92154-1539	1