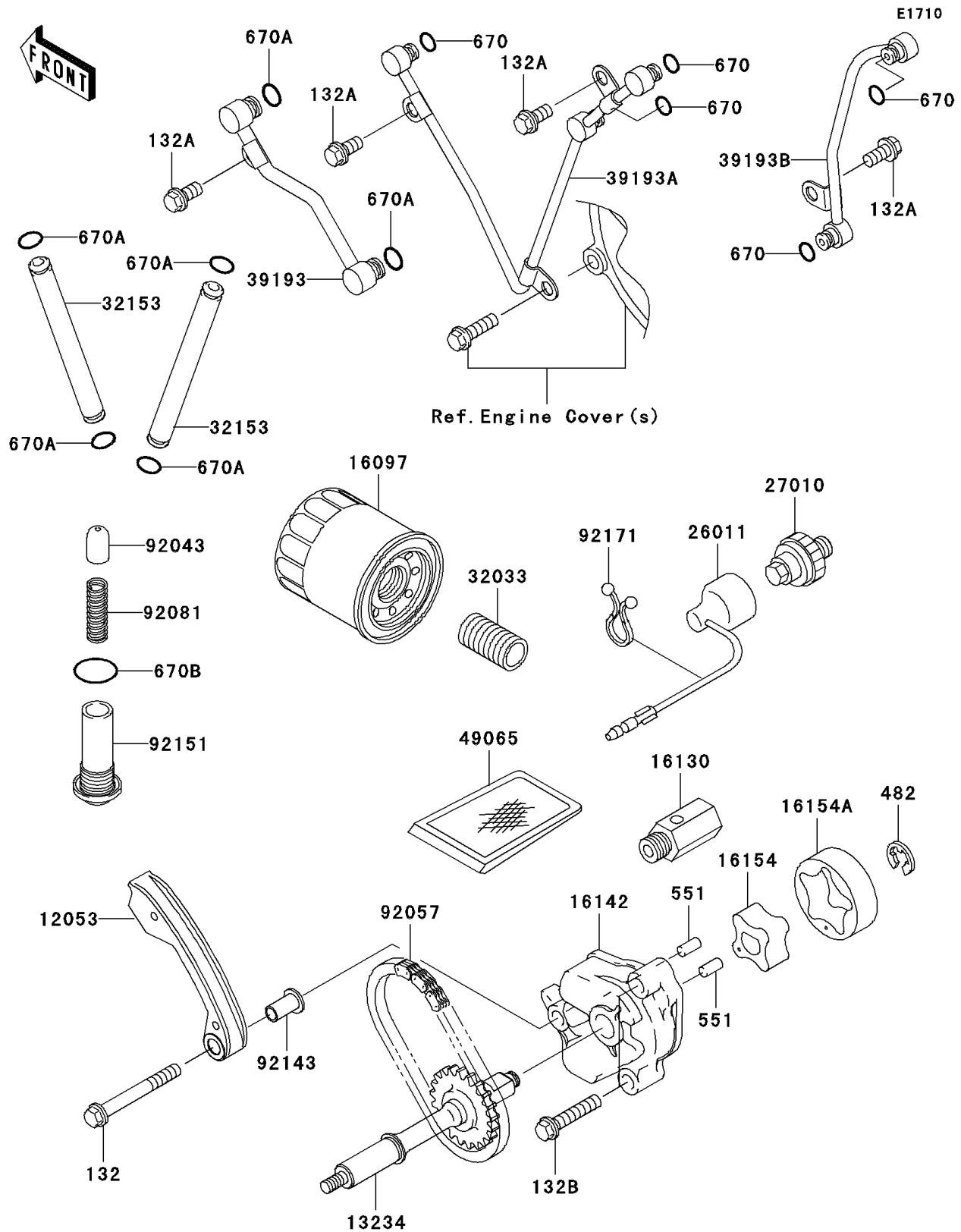


## 2005 Prairie® 700 4x4 Team Green™ Special Edition PARTS DIAGRAM

Oil Pump/Oil Filter



## 2005 Prairie® 700 4x4 Team Green™ Special Edition PARTS LIST

Oil Pump/Oil Filter

ITEM NAME	PART NUMBER	QUANTITY
BOLT-FLANGED-SMALL,6X50 (Ref # 132)	132J0650	1
BOLT-FLANGED-SMALL,6X12 (Ref # 132A)	132Y0612	1
BOLT-FLANGED-SMALL,6X30 (Ref # 132B)	132Y0630	1
CIRCLIP-TYPE-E,6MM (Ref # 482)	482J6000	1
PIN-DOWEL,4X8 (Ref # 551)	551A0408	1
O RING (Ref # 670)	670D1505	1
O RING,7MM (Ref # 670A)	670D1507	1
O RING,16MM (Ref # 670B)	670D2016	1
GUIDE-CHAIN,SLACK (Ref # 12053)	12053-1440	1
SHAFT-COMP,OIL PUMP (Ref # 13234)	13234-1112	1
FILTER-ASSY-OIL (Ref # 16097)	16097-1072	1
VALVE-ASSY-RELIEF (Ref # 16130)	16130-1058	1
COVER-PUMP (Ref # 16142)	16142-1162	1
ROTOR-PUMP,INNER (Ref # 16154)	16154-2059	1
ROTOR-PUMP,OUTER (Ref # 16154A)	16154-2060	1
WIRE-LEAD (Ref # 26011)	26011-1755	1
SWITCH,OIL PRESSURE (Ref # 27010)	27010-1313	1
PIPE,OIL FILTER (Ref # 32033)	32033-1535	1
PIPE (Ref # 32153)	32153-1189	1
PIPE-OIL,CRANKSHAFT (Ref # 39193)	39193-1052	1
PIPE-OIL,CRANKCASE,LH (Ref # 39193A)	39193-1053	1
PIPE-OIL,CRANKCASE,RH (Ref # 39193B)	39193-1054	1
FILTER-OIL (Ref # 49065)	49065-1086	1
PIN (Ref # 92043)	92043-076	1
CHAIN (Ref # 92057)	92057-1486	1
SPRING (Ref # 92081)	92081-112	1
COLLAR (Ref # 92143)	92143-1857	1
BOLT,16X41 (Ref # 92151)	92151-1781	1
CLAMP (Ref # 92171)	92171-1329	1