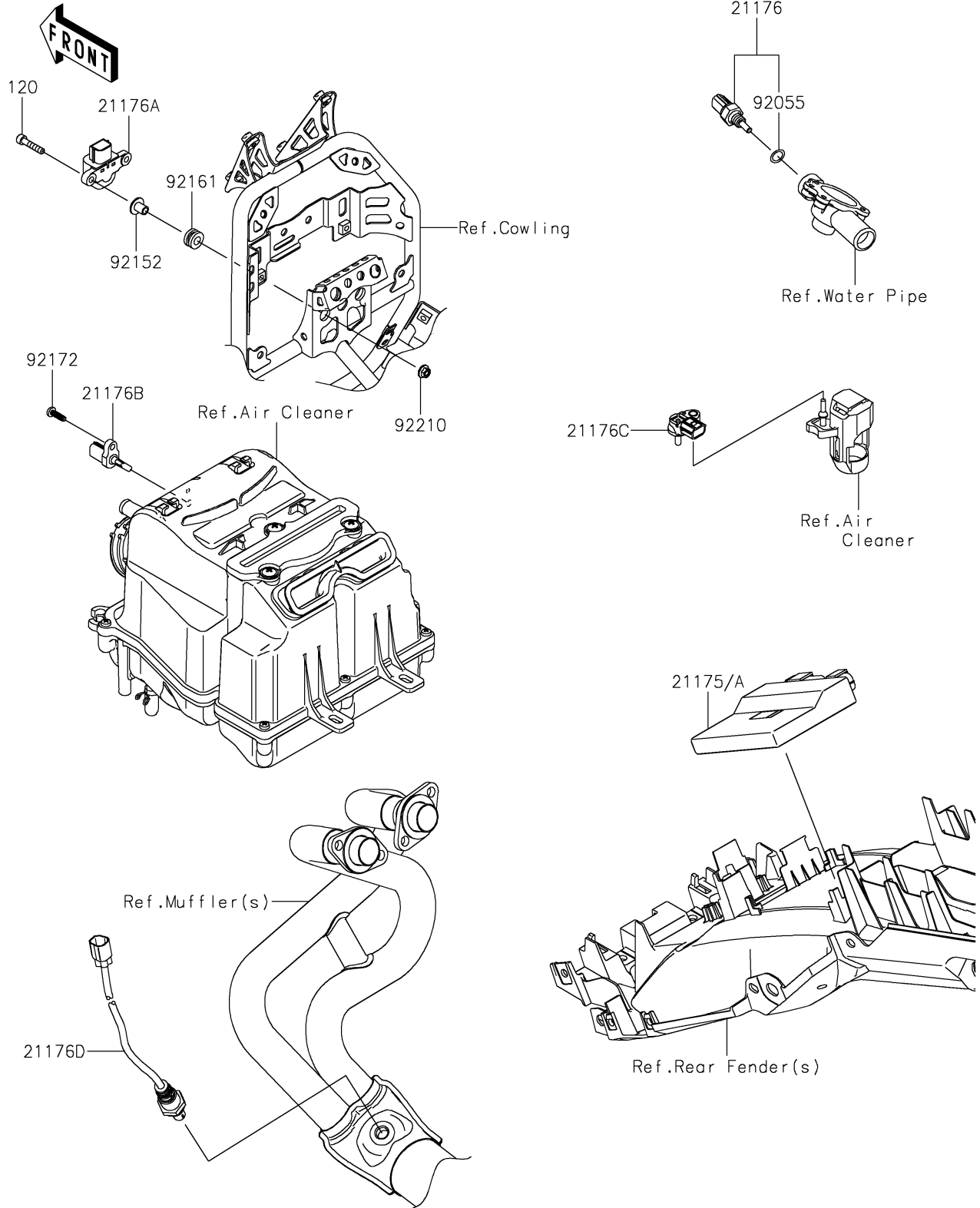


## 2017 PARTS DIAGRAM

Fuel Injection

E1530



## 2017 PARTS LIST

Fuel Injection

| ITEM NAME                              | PART NUMBER | QUANTITY |
|--|-------------|----------|
| BOLT-SOCKET,5X25 (Ref # 120)           | 120CA0525   | 1        |
| CONTROL UNIT-ELECTRONIC (Ref # 21175)  | 21175-1262  | 1        |
| CONTROL UNIT-ELECTRONIC (Ref # 21175A) | 21175-1263  | 1        |
| SENSOR,WATER TEMP (Ref # 21176)        | 21176-0009  | 1        |
| SENSOR,VEHICLE-DOWN (Ref # 21176A)     | 21176-0026  | 1        |
| SENSOR,AIR TEMPERATURE (Ref # 21176B)  | 21176-0048  | 1        |
| SENSOR,PRESSURE (Ref # 21176C)         | 21176-0111  | 1        |
| SENSOR,OXYGEN (Ref # 21176D)           | 21176-0839  | 1        |
| RING-O,9.5X1.9 (Ref # 92055)           | 92055-0016  | 1        |
| COLLAR,5.6X8X11.2 (Ref # 92152)        | 92152-1562  | 1        |
| DAMPER,8X16X8.6 (Ref # 92161)          | 92161-0685  | 1        |
| SCREW,TAPPING,5X16 (Ref # 92172)       | 92172-0790  | 1        |
| NUT,FLANGED,5MM (Ref # 92210)          | 92210-0007  | 1        |