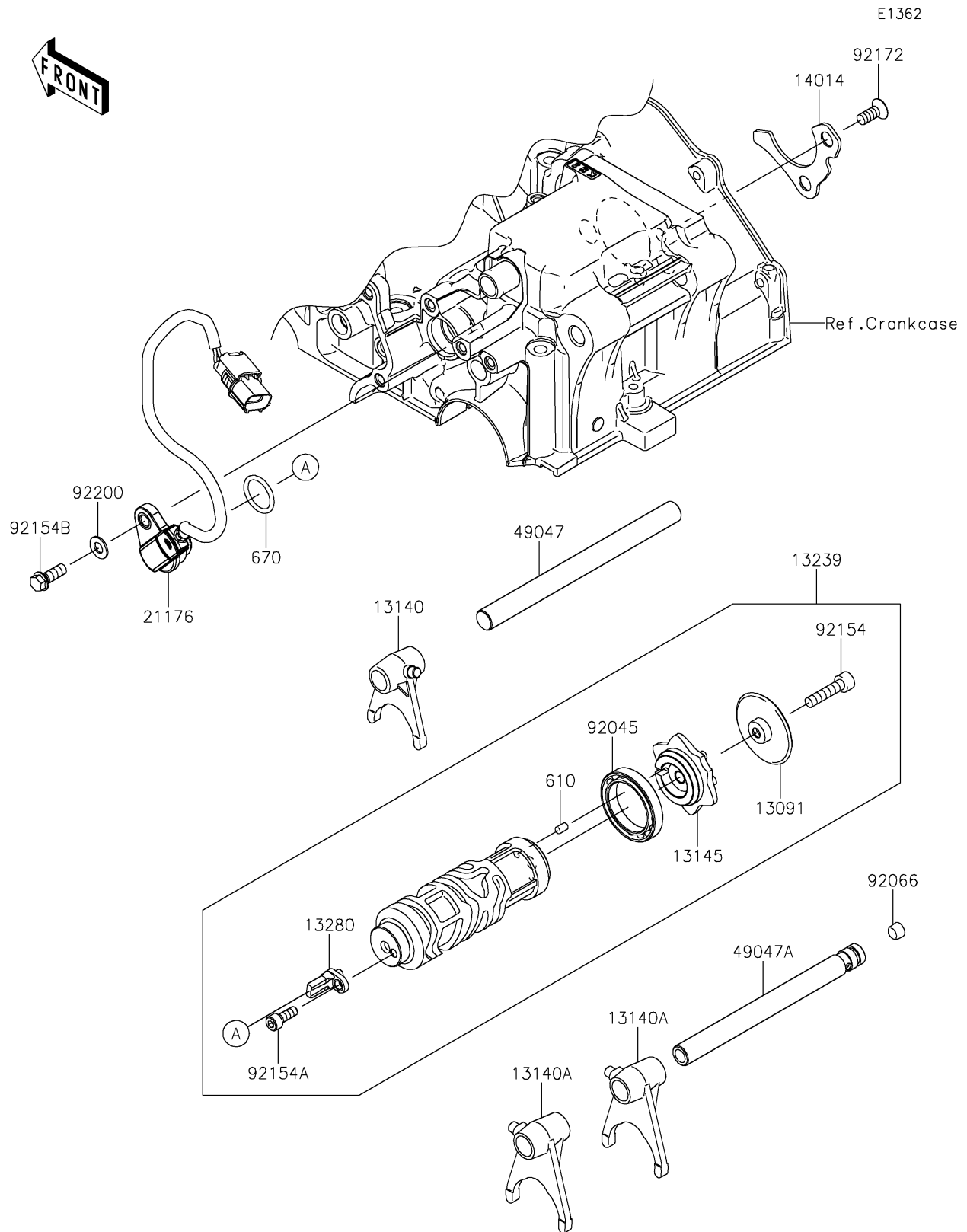


2017 PARTS DIAGRAM

Gear Change Drum/Shift Fork(s)



2017 PARTS LIST

Gear Change Drum/Shift Fork(s)

ITEM NAME	PART NUMBER	QUANTITY
HOLDER,CHANGE DRUM (Ref # 13091)	13091-1464	1
FORK-SHIFT,IN (Ref # 13140)	13140-1148	1
FORK-SHIFT,OUT (Ref # 13140A)	13140-1149	1
CAM-CHANGE DRUM (Ref # 13145)	13145-0556	1
DRUM-ASSY-CHANGE (Ref # 13239)	13239-0048	1
HOLDER,GEAR POSITION SENSOR (Ref # 13280)	13280-0882	1
PLATE-POSITION (Ref # 14014)	14014-0564	1
SENSOR,GEAR POSITION (Ref # 21176)	21176-0832	1
ROD-SHIFT,IN (Ref # 49047)	49047-0625	1
ROD-SHIFT,OUT (Ref # 49047A)	49047-0626	1
ROLLER,4X6 (Ref # 610)	610A0406	1
O RING,18MM (Ref # 670)	670D2018	1
BEARING-BALL,6806 (Ref # 92045)	92045-0826	1
PLUG (Ref # 92066)	92066-1246	1
BOLT,SOCKET,6X25 (Ref # 92154)	92154-0954	1
BOLT,SOCKET,5X14 (Ref # 92154A)	92154-2559	1
BOLT,FLANGED-SMALL,6X16 (Ref # 92154B)	92154-2561	1
SCREW,6X15 (Ref # 92172)	92172-0812	1
WASHER,6.5X13X1 (Ref # 92200)	92200-1857	1