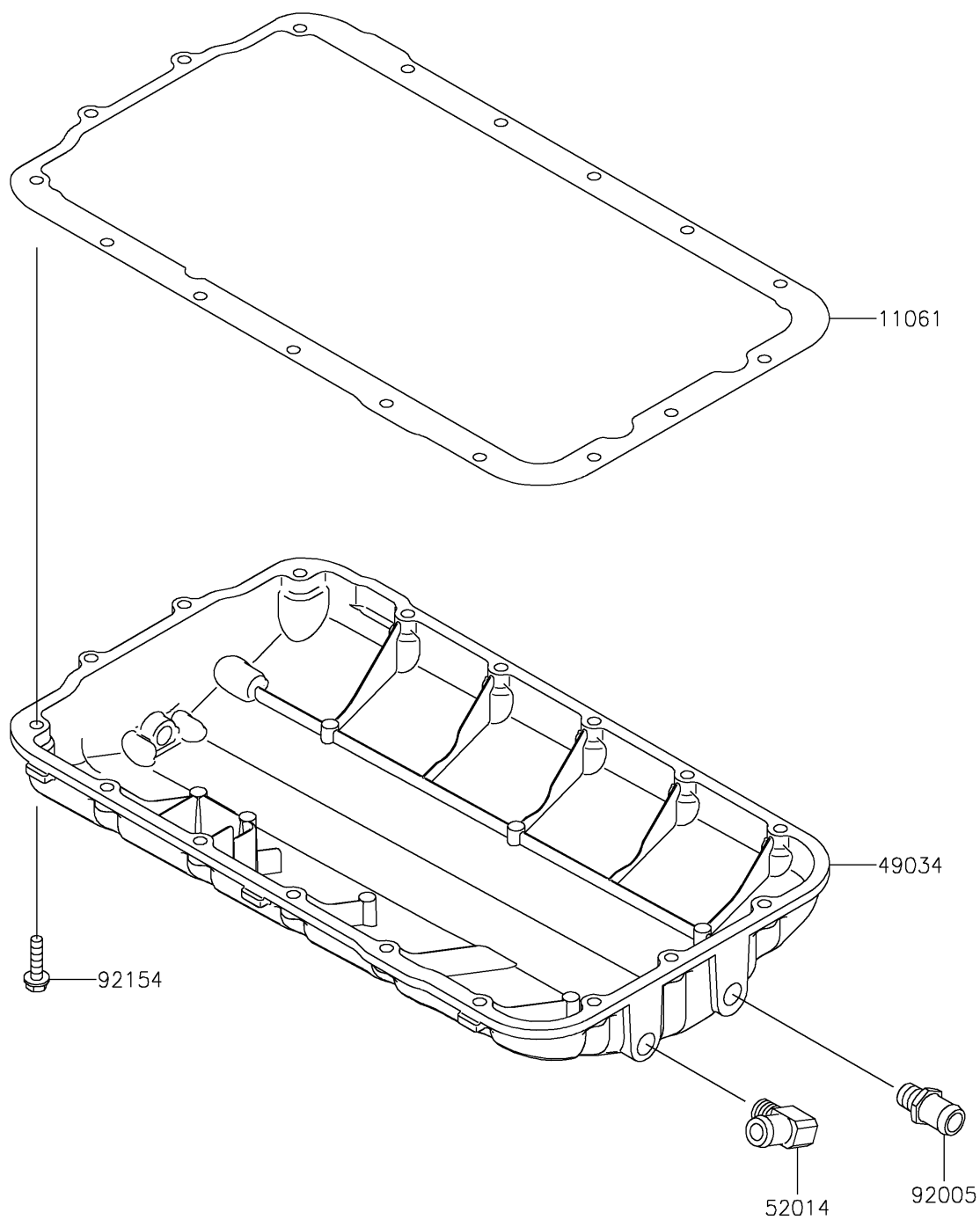


2017 Jet Ski® SX-R™ PARTS DIAGRAM

Oil Pan

E1434



2017 Jet Ski® SX-R™ PARTS LIST

Oil Pan

| ITEM NAME | PART NUMBER | QUANTITY |
|---------------------------------|-------------|----------|
| GASKET,OIL PAN (Ref # 11061) | 11061-3710 | 1 |
| PAN-OIL (Ref # 49034) | 49034-3702 | 1 |
| ELBOW (Ref # 52014) | 52014-3717 | 1 |
| FITTING (Ref # 92005) | 92005-0875 | 1 |
| BOLT,FLANGED,6X25 (Ref # 92154) | 92154-0823 | 1 |