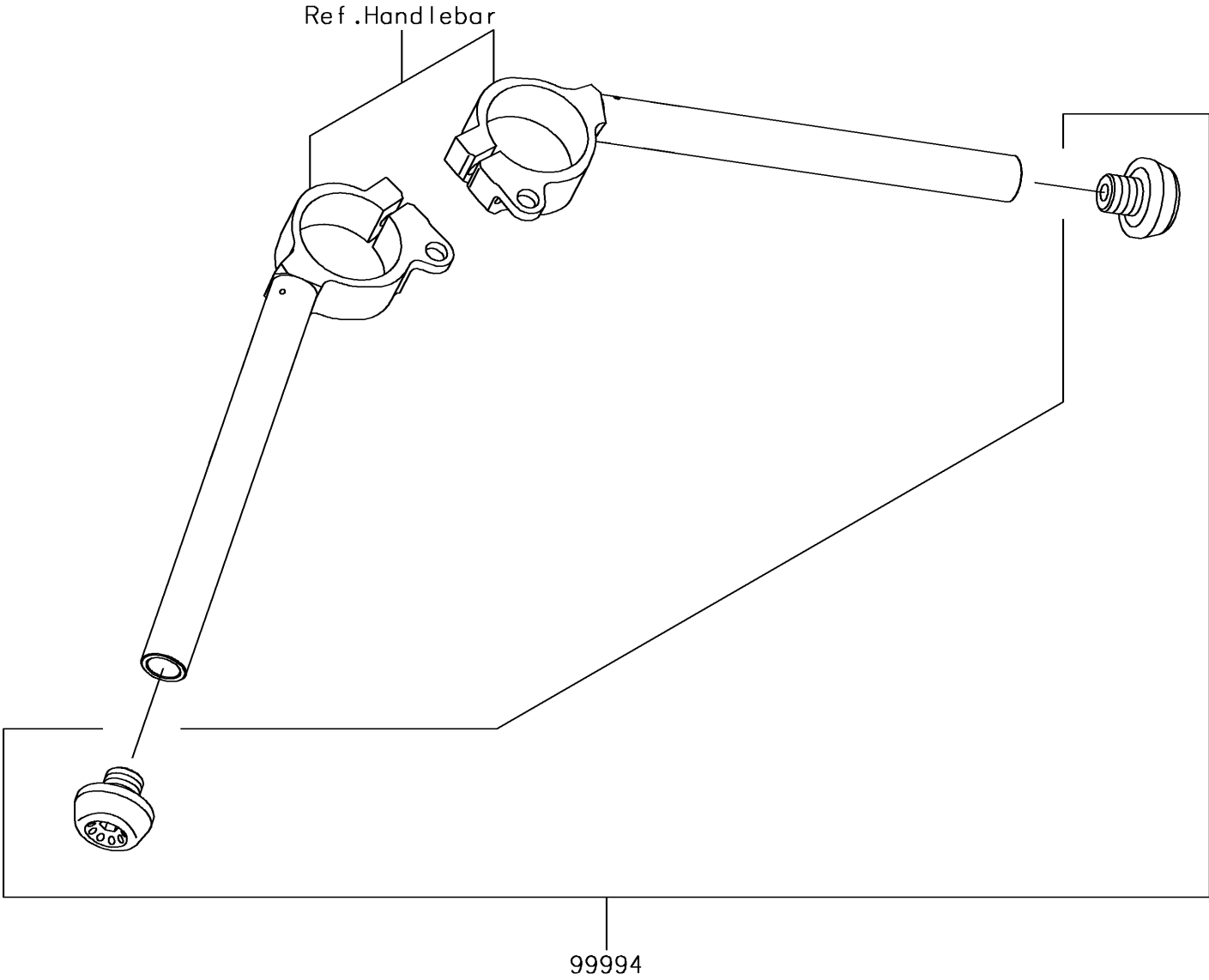


2017 PARTS DIAGRAM

Accessory(Handle Weight)

F2910B



2017 PARTS LIST

Accessory(Handle Weight)

ITEM NAME	PART NUMBER	QUANTITY
KIT-ACCESSORY,HANDLE WEIGHT (Ref # 99994)	99994-1047	1