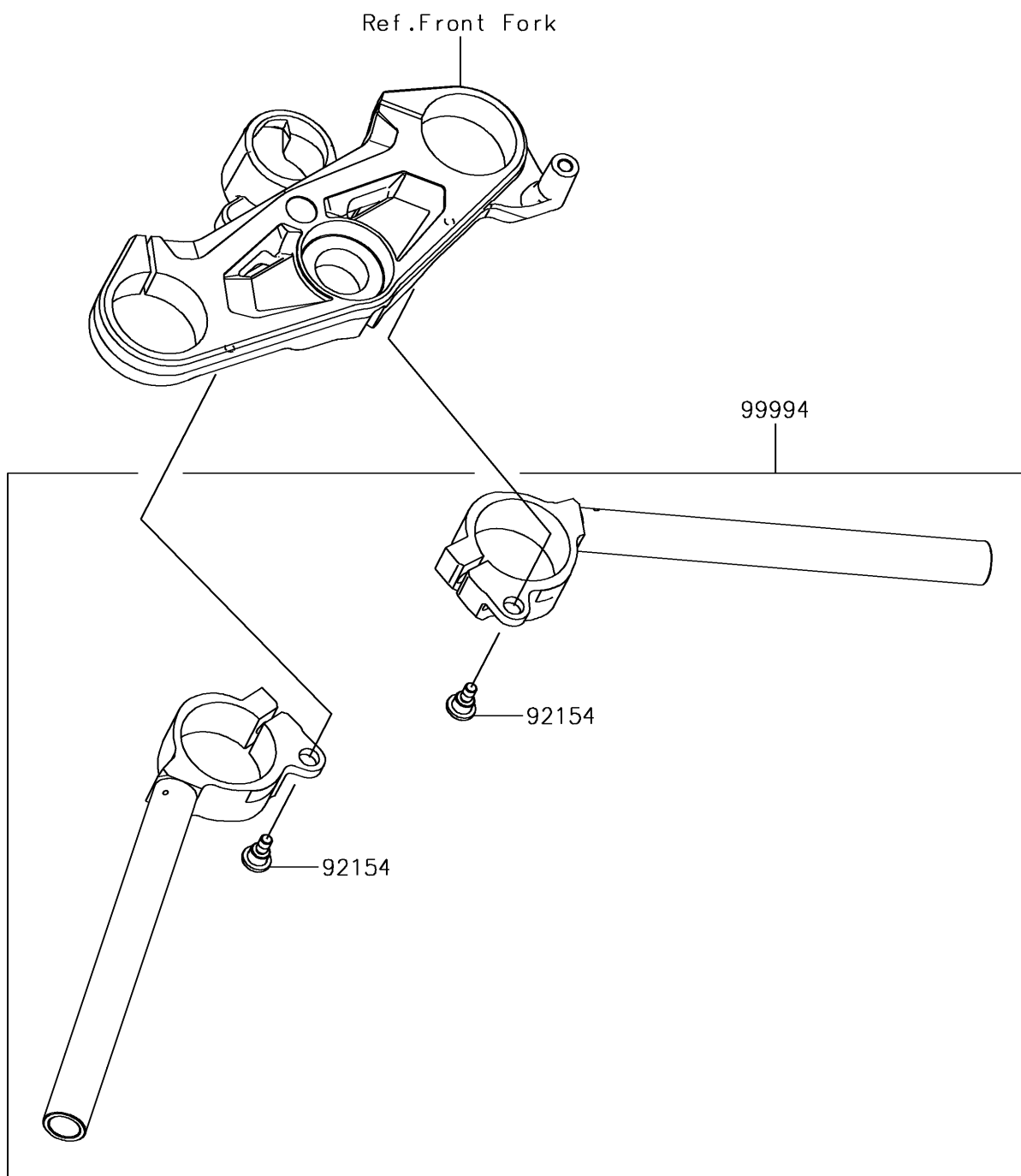


## 2017 PARTS DIAGRAM

Accessory(Handle)

F2910A



## 2017 PARTS LIST

Accessory(Handle)

ITEM NAME	PART NUMBER	QUANTITY
BOLT,SOCKET,6X16.5 (Ref # 92154)	92154-1698	1
KIT-ACCESSORY,HANDLE (Ref # 99994)	99994-0939	1