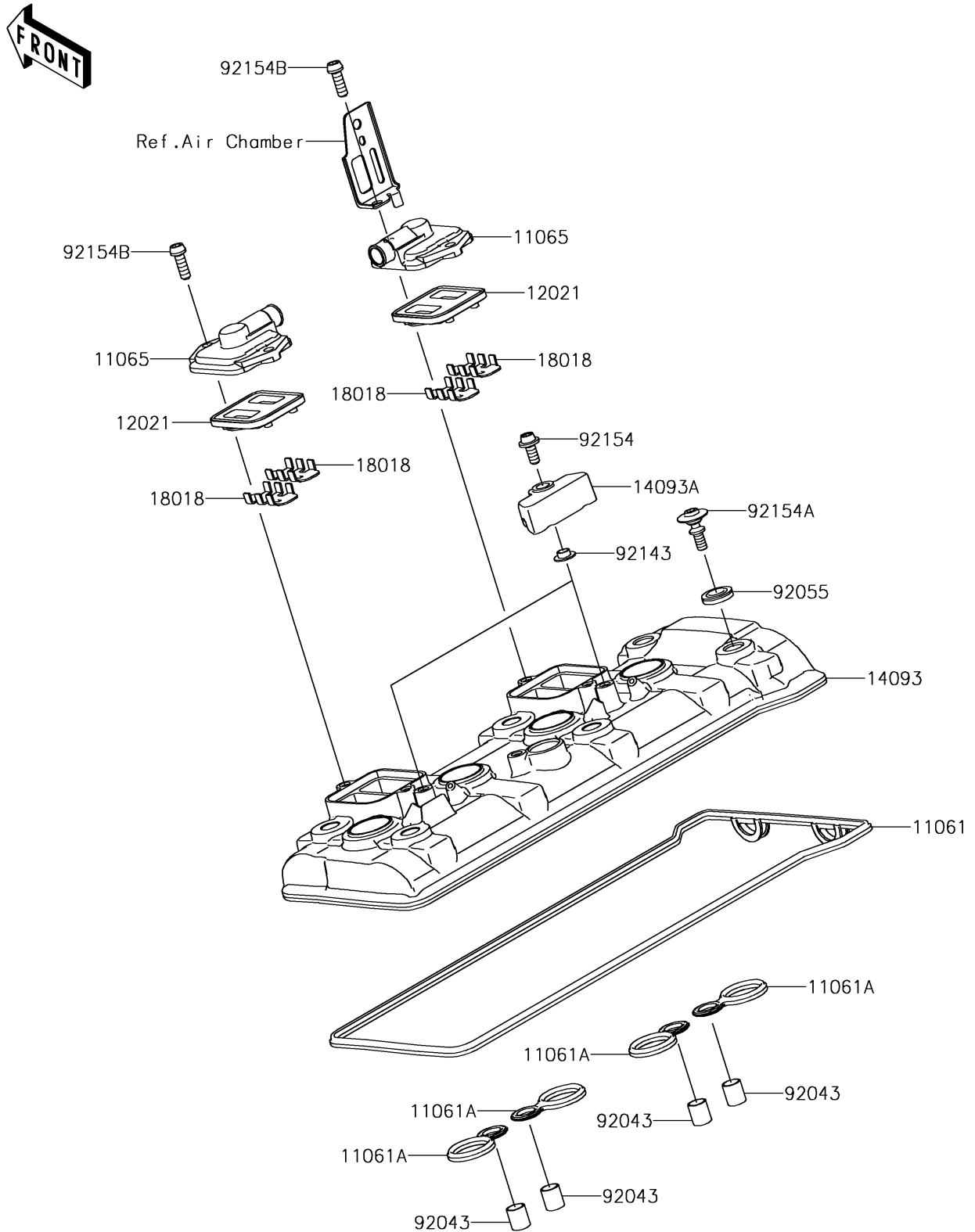


2017 PARTS DIAGRAM

Cylinder Head Cover

E1112



2017 PARTS LIST

Cylinder Head Cover

| ITEM NAME | PART NUMBER | QUANTITY |
|---------------------------------|-------------|----------|
| GASKET,HEAD COVER (Ref # 11061) | 11061-0979 | 1 |
| GASKET,PLUG HOLE (Ref # 11061A) | 11061-1185 | 1 |
| CAP,ASV (Ref # 11065) | 11065-0869 | 1 |
| VALVE-ASSY-REED (Ref # 12021) | 12021-0021 | 1 |
| COVER,HEAD (Ref # 14093) | 14093-0092 | 1 |
| COVER (Ref # 14093A) | 14093-0291 | 1 |
| PLATE-HEAT GUARD (Ref # 18018) | 18018-0591 | 1 |
| PIN,10.1X12X14 (Ref # 92043) | 92043-4009 | 1 |
| RING-O (Ref # 92055) | 92055-0820 | 1 |
| COLLAR (Ref # 92143) | 92143-1331 | 1 |
| BOLT,SOCKET,6X14 (Ref # 92154) | 92154-1460 | 1 |
| BOLT (Ref # 92154A) | 92154-1468 | 1 |
| BOLT,SOCKET,6X18 (Ref # 92154B) | 92154-1498 | 1 |