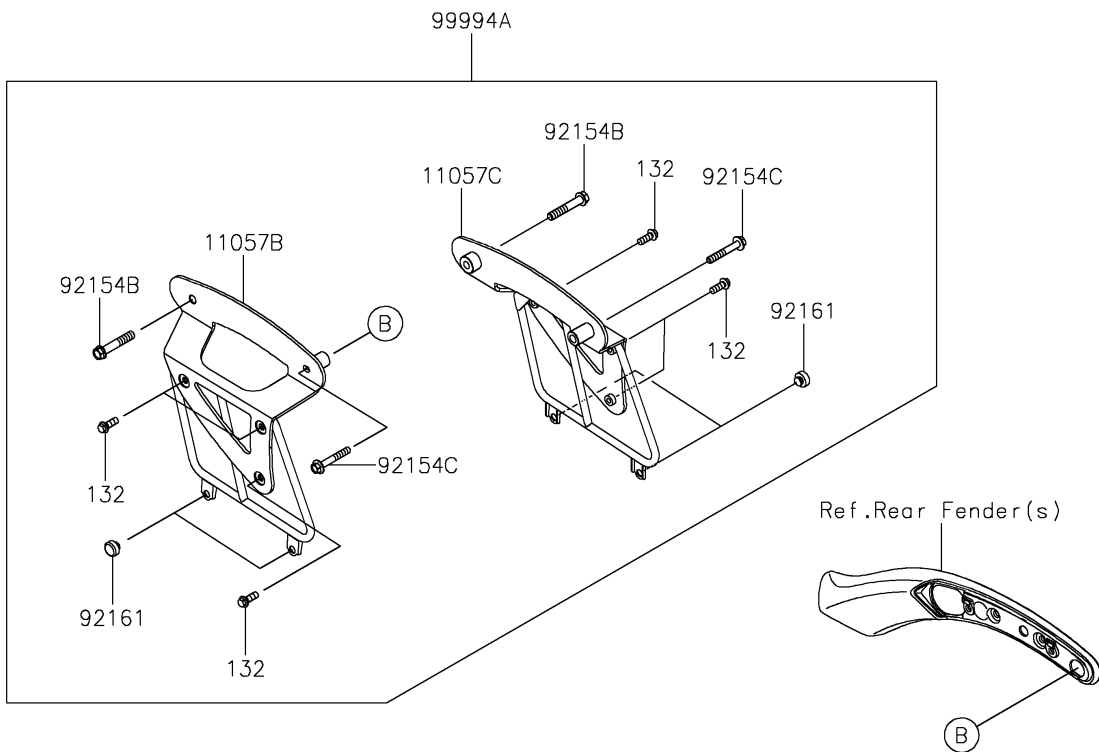
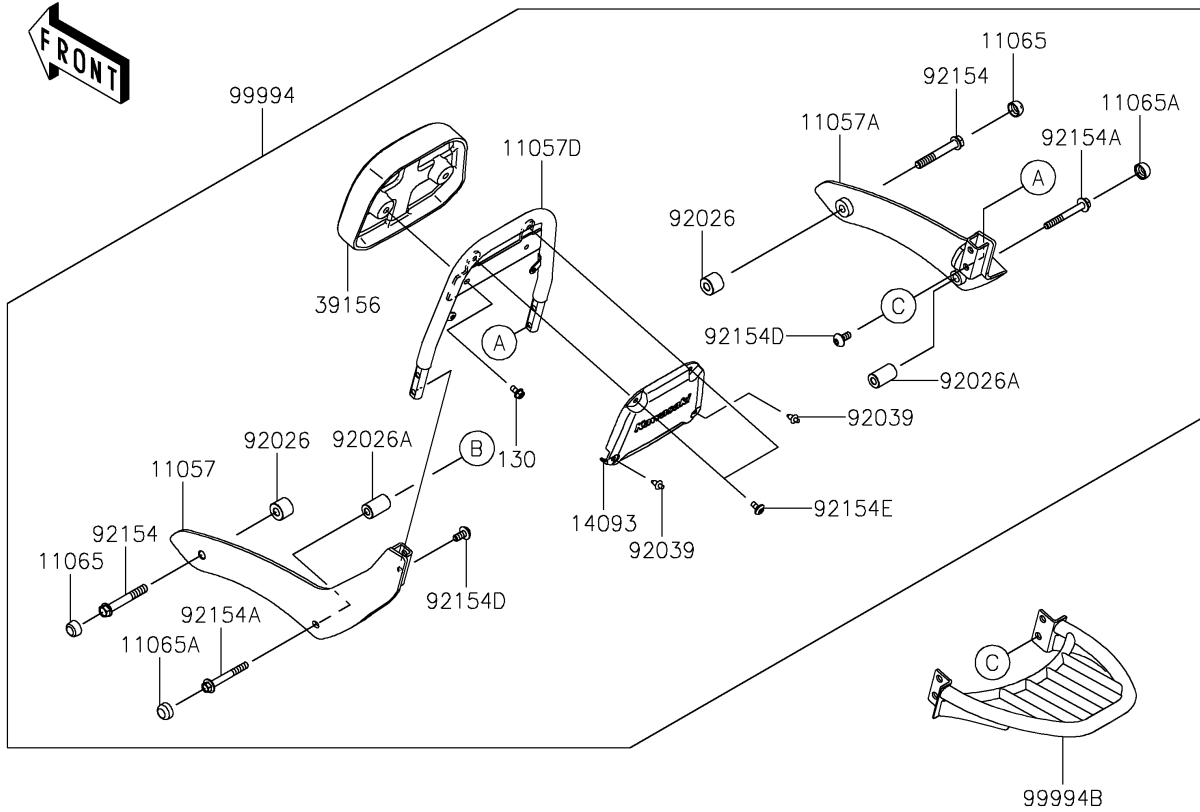


2017 PARTS DIAGRAM

Accessory(Passenger Backrest)

F2910M



2017 PARTS LIST

Accessory(Passenger Backrest)

ITEM NAME	PART NUMBER	QUANTITY
BRACKET,SIDE PLATE,LH (Ref # 11057)	11057-0179	1
BRACKET,SIDE PLATE,RH (Ref # 11057A)	11057-0181	1
BRACKET,LH (Ref # 11057B)	11057-0186	1
BRACKET,RH (Ref # 11057C)	11057-0188	1
BRACKET,SISSYBAR (Ref # 11057D)	11057-0218	1
CAP,14 (Ref # 11065)	11065-0977	1
CAP (Ref # 11065A)	11065-1195	1
BOLT-FLANGED,6X12 (Ref # 130)	130BA0612	1
BOLT-FLANGED-SMALL,8X22 (Ref # 132)	132BA0822	1
COVER (Ref # 14093)	14093-0504	1
PAD,SEAT (Ref # 39156)	39156-1581	1
SPACER (Ref # 92026)	92026-0823	1
SPACER (Ref # 92026A)	92026-0824	1
RIVET (Ref # 92039)	92039-0068	1
BOLT,FLANGED,10X70 (Ref # 92154)	92154-2227	1
BOLT,FLANGED,8X68 (Ref # 92154A)	92154-2228	1
BOLT,FLANGED,10X57 (Ref # 92154B)	92154-2229	1
BOLT,FLANGED,8X55 (Ref # 92154C)	92154-2230	1
BOLT,SOCKET,8X18 (Ref # 92154D)	92154-2239	1
BOLT,SOCKET,6X12 (Ref # 92154E)	92154-2497	1
DAMPER,10X20X8 (Ref # 92161)	92161-0855	1
KIT,PASSENGER BACKREST W/O KQR (Ref # 99994)	99994-0818	1
KIT,SADDLEBAG SPRT BKT W/O KQR (Ref # 99994A)	99994-0819	1
KIT-ACC,LUGGAGE RACK W/O KQR (Ref # 99994B)	99994-0846	1