

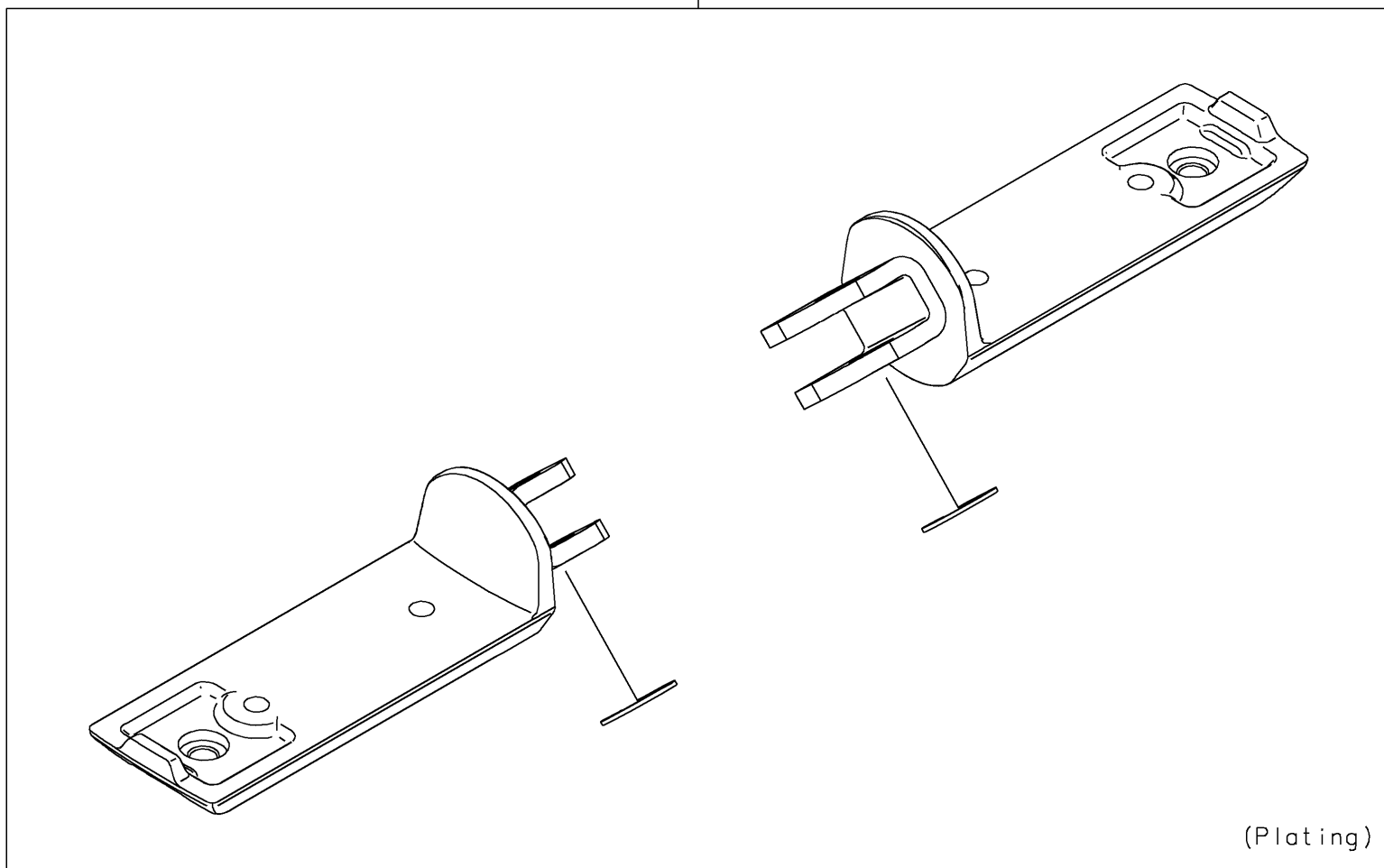
2017 PARTS DIAGRAM

Accessory(Foot Peg)

F2910K



99994



(Plating)

2017 PARTS LIST

Accessory(Foot Peg)

ITEM NAME	PART NUMBER	QUANTITY
KIT.,FOOT PEG (Ref # 99994)	99994-0542	1