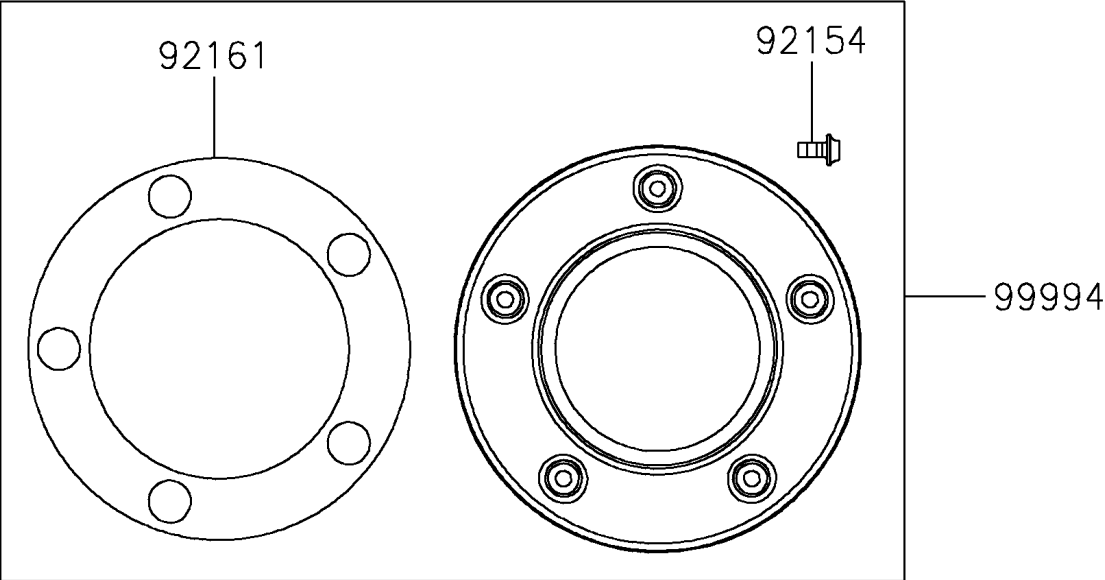


2017 PARTS DIAGRAM

Accessory(Decals)

F2910G



2017 PARTS LIST

Accessory(Decals)

| ITEM NAME | PART NUMBER | QUANTITY |
|--|-------------|----------|
| BOLT,SOCKET,5X10 (Ref # 92154) | 92154-1691 | 1 |
| DAMPER (Ref # 92161) | 92161-1767 | 1 |
| KIT-ACCESSORY,MARK,PLATING (Ref # 99994) | 99994-0580 | 1 |