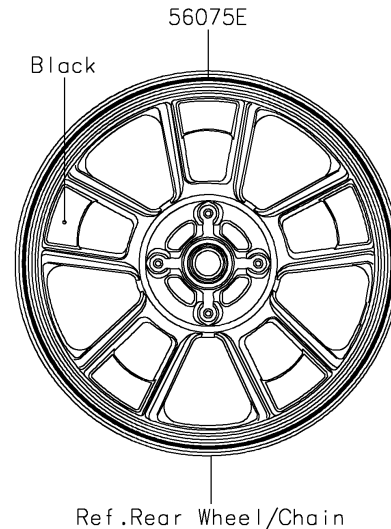
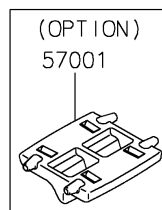
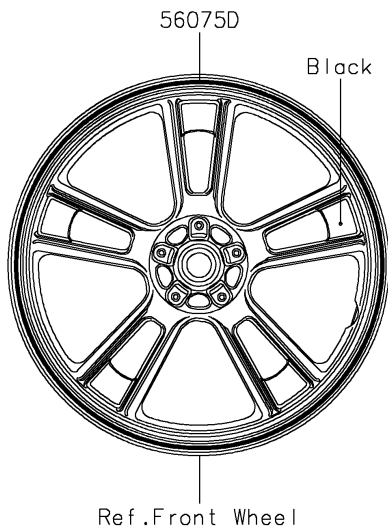
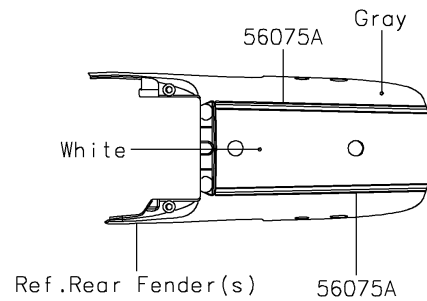
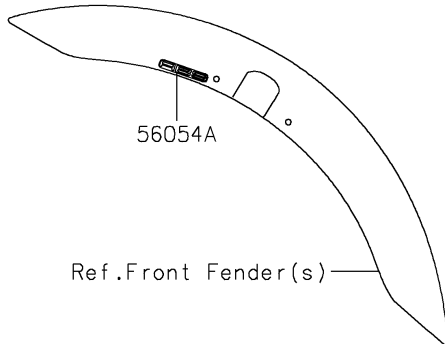
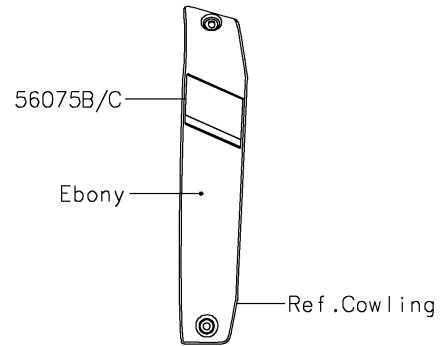
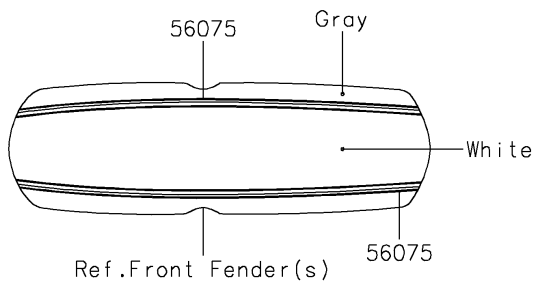
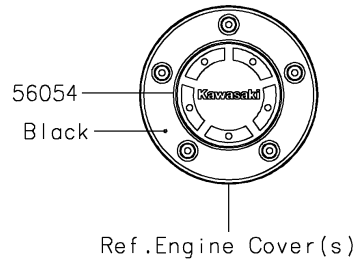


2017 PARTS DIAGRAM

Decals(Gray)(EHF)(CA)

F2861



2017 PARTS LIST

Decals(Gray)(EHF)(CA)

ITEM NAME	PART NUMBER	QUANTITY
MARK,CLUTCH COVER,KAWASAKI (Ref # 56054)	56054-1728	1
MARK,FR FENDER,ABS (Ref # 56054A)	56054-1879	1
PATTERN,FR FENDER (Ref # 56075)	56075-2452	1
PATTERN,RR FENDER (Ref # 56075A)	56075-2453	1
PATTERN,SHROUD COVER,LH (Ref # 56075B)	56075-2454	1
PATTERN,SHROUD COVER,RH (Ref # 56075C)	56075-2455	1
PATTERN,FR WHEEL,ORANGE,6X1497 (Ref # 56075D)	56075-2456	1
PATTERN,RR WHEEL,ORANGE,6X1425 (Ref # 56075E)	56075-2457	1
RIM STRIPE APPLICATOR (Ref # 57001)	57001-1752	1