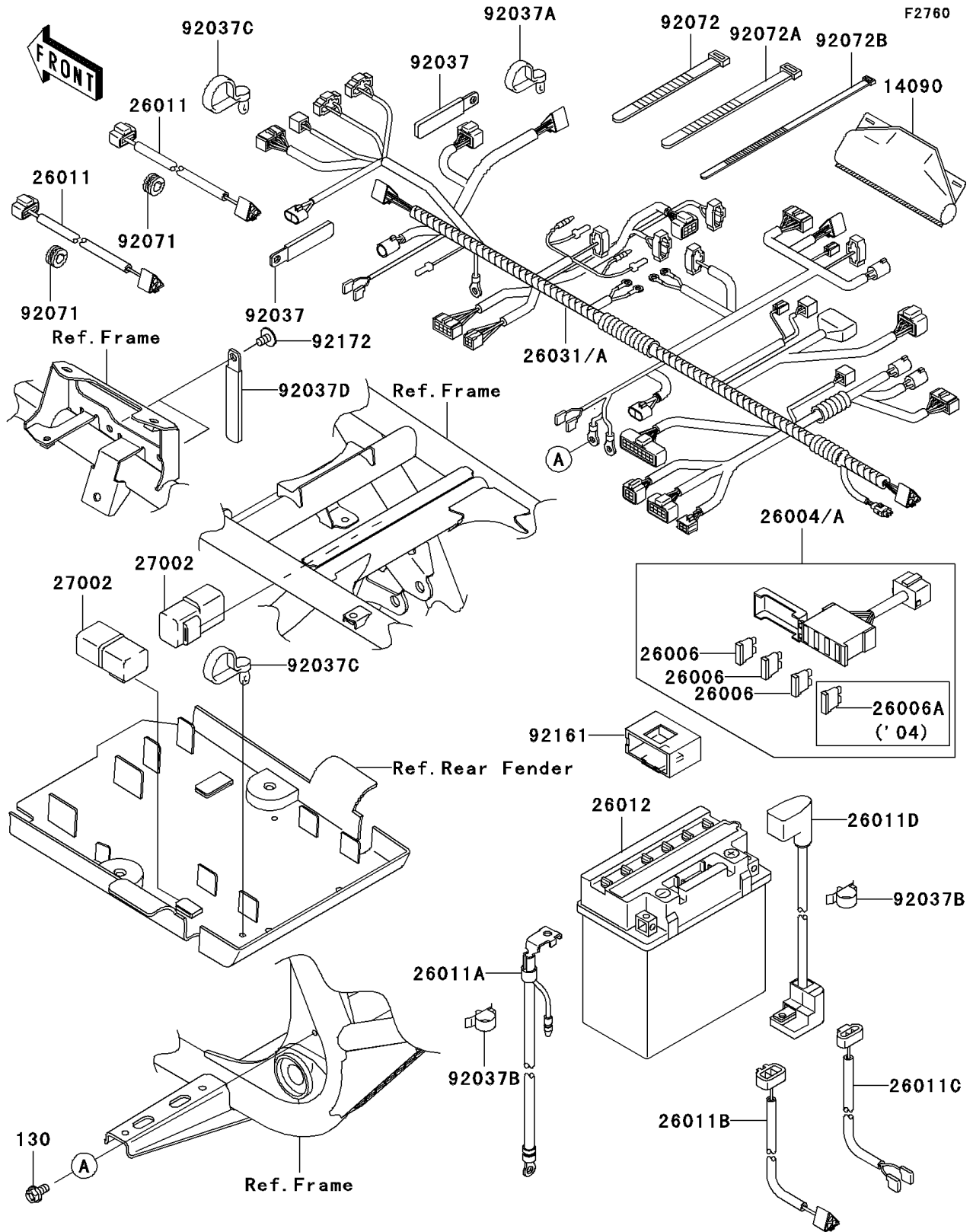


2004 Prairie® 700 4x4 Hardwoods® Green HD™ PARTS DIAGRAM

Chassis Electrical Equipment



2004 Prairie® 700 4x4 Hardwoods® Green HD™ PARTS LIST

Chassis Electrical Equipment

| ITEM NAME | PART NUMBER | QUANTITY |
|--|-------------|----------|
| BOLT-FLANGED,6X12 (Ref # 130) | 130B0612 | 1 |
| COVER,COUPLER (Ref # 14090) | 14090-1331 | 1 |
| FUSE-ASSY (Ref # 26004) | 26004-0003 | 1 |
| FUSE,10A-R (Ref # 26006) | 26006-1007 | 1 |
| FUSE,15A-B (Ref # 26006A) | 26006-1061 | 1 |
| WIRE-LEAD,HEAD LAMP (Ref # 26011) | 26011-1741 | 1 |
| WIRE-LEAD,BATTERY(-) (Ref # 26011A) | 26011-1752 | 1 |
| WIRE-LEAD,SPEED SENSOR (Ref # 26011B) | 26011-1801 | 1 |
| WIRE-LEAD,FRONT BRAKE (Ref # 26011C) | 26011-1802 | 1 |
| WIRE-LEAD,BATTERY(+) (Ref # 26011D) | 26011-1827 | 1 |
| BATTERY,MF,KMX14-BS,12V 12AH (Ref # 26012) | 26012-1414 | 1 |
| HARNESS,MAIN (Ref # 26031) | 26031-0021 | 1 |
| RELAY-ASSY (Ref # 27002) | 27002-1086 | 1 |
| CLAMP,L=60 (Ref # 92037) | 92037-1069 | 1 |
| CLAMP,SPEED,L=58 (Ref # 92037A) | 92037-1163 | 1 |
| CLAMP,HARNESS (Ref # 92037B) | 92037-1878 | 1 |
| CLAMP,SPEED,L=80.5 (Ref # 92037C) | 92037-1903 | 1 |
| CLAMP (Ref # 92037D) | 92037-1993 | 1 |
| GROMMET (Ref # 92071) | 92071-1128 | 1 |
| BAND,L=123 (Ref # 92072) | 92072-030 | 1 |
| BAND,L=149 (Ref # 92072A) | 92072-031 | 1 |
| BAND,L=188 (Ref # 92072B) | 92072-1239 | 1 |
| DAMPER,FUSE (Ref # 92161) | 92161-1136 | 1 |
| SCREW,6X10 (Ref # 92172) | 92172-0005 | 1 |