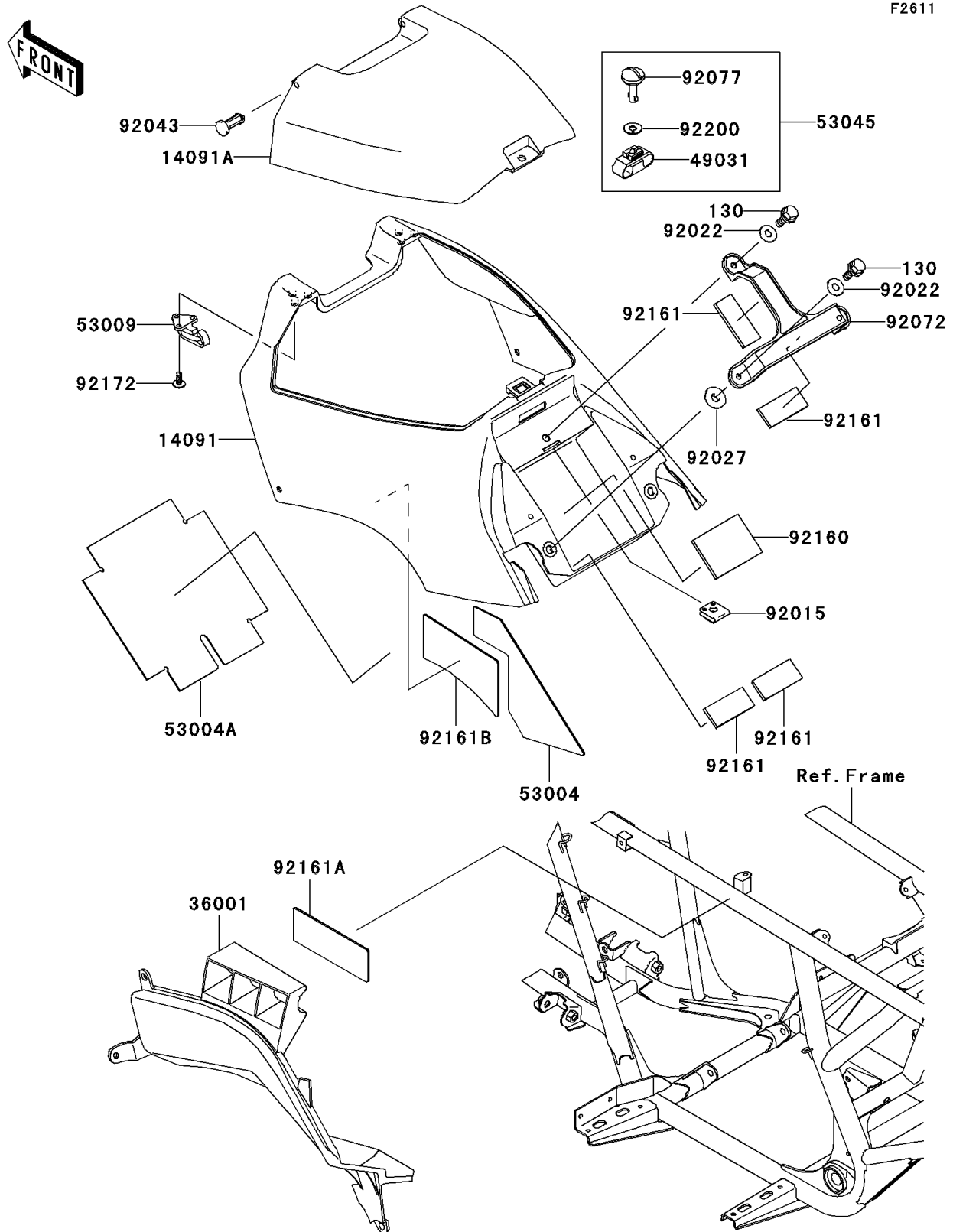


2004 Prairie® 700 4x4 Hardwoods® Green HD™ PARTS DIAGRAM

Side Covers

F2611



2004 Prairie® 700 4x4 Hardwoods® Green HD™ PARTS LIST

Side Covers

| ITEM NAME | PART NUMBER | QUANTITY |
|--|----------------|----------|
| BOLT-FLANGED,6X18 (Ref # 130) | 130J0618 | 1 |
| COVER,FUEL TANK,C.H.GREEN (Ref # 14091) | 14091-1558-374 | 1 |
| COVER,FUEL TANK,UPP,C.H.GREEN (Ref # 14091A) | 14091-1559-374 | 1 |
| COVER-SIDE (Ref # 36001) | 36001-1647 | 1 |
| LATCH (Ref # 49031) | 49031-1060 | 1 |
| MAT,FUEL TANK COVER (Ref # 53004) | 53004-1148 | 1 |
| MAT,BATTERY CASE (Ref # 53004A) | 53004-1172 | 1 |
| HINGE,FUEL TANK COVER,FR (Ref # 53009) | 53009-1110 | 1 |
| HOOK-ASSY,FUEL TANK COVER,RR (Ref # 53045) | 53045-1070 | 1 |
| NUT,CLAMP,6MM (Ref # 92015) | 92015-1678 | 1 |
| WASHER,6.5X16X1.0 (Ref # 92022) | 92022-1093 | 1 |
| COLLAR,L=4.7 (Ref # 92027) | 92027-1964 | 1 |
| PIN,HINGE (Ref # 92043) | 92043-1623 | 1 |
| BAND,BATTERY (Ref # 92072) | 92072-1406 | 1 |
| KNOB (Ref # 92077) | 92077-1129 | 1 |
| DAMPER,BATTERY (Ref # 92160) | 92160-1897 | 1 |
| DAMPER (Ref # 92161) | 92161-1127 | 1 |
| DAMPER,SIDE COVER (Ref # 92161A) | 92161-1201 | 1 |
| DAMPER,FUEL TANK COVER (Ref # 92161B) | 92161-1202 | 1 |
| SCREW,TAPPING,5X10 (Ref # 92172) | 92172-1061 | 1 |
| WASHER (Ref # 92200) | 92200-1578 | 1 |