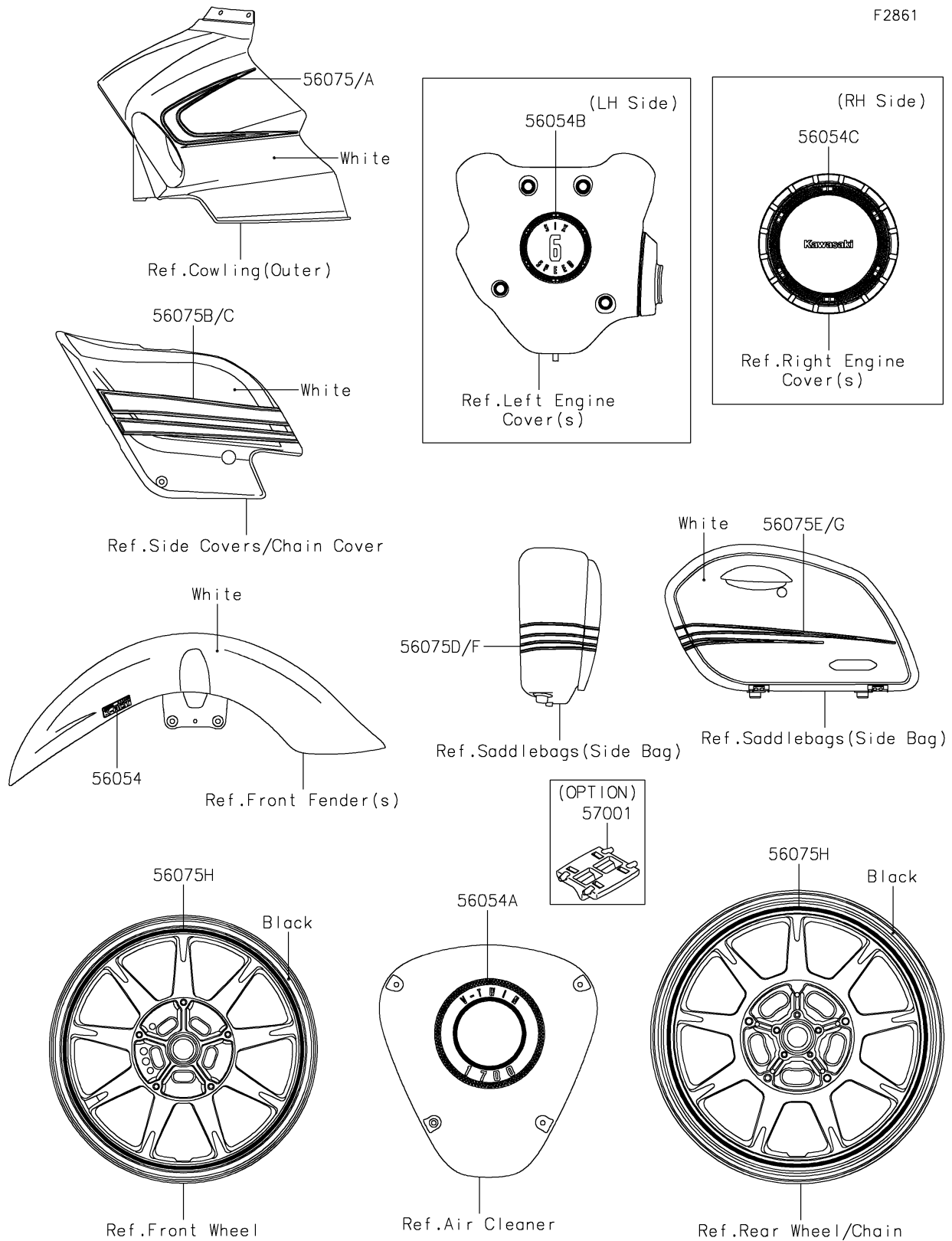


## 2016 Vulcan® 1700 Vaquero® ABS PARTS DIAGRAM

Decals(White)(KGF)

F2861



## 2016 Vulcan® 1700 Vaquero® ABS PARTS LIST

Decals(White)(KGF)

| ITEM NAME                                 | PART NUMBER | QUANTITY |
|---|-------------|----------|
| MARK,FR FENDER,ABS (Ref # 56054)          | 56054-0455  | 1        |
| MARK,A/C,V-TWIN 1700 (Ref # 56054A)       | 56054-1147  | 1        |
| MARK,GEN. COVER,6 SPEED (Ref # 56054B)    | 56054-1148  | 1        |
| MARK,E/G COVER,KAWASAKI (Ref # 56054C)    | 56054-1149  | 1        |
| PATTERN,UPP COWL.,LH (Ref # 56075)        | 56075-1473  | 1        |
| PATTERN,UPP COWL.,RH (Ref # 56075A)       | 56075-1474  | 1        |
| PATTERN,SIDE COVER,LH (Ref # 56075B)      | 56075-1475  | 1        |
| PATTERN,SIDE COVER,RH (Ref # 56075C)      | 56075-1476  | 1        |
| PATTERN,SIDE BAG,LH,FR (Ref # 56075D)     | 56075-1477  | 1        |
| PATTERN,SIDE BAG,LH,RR (Ref # 56075E)     | 56075-1478  | 1        |
| PATTERN,SIDE BAG,RH,FR (Ref # 56075F)     | 56075-1479  | 1        |
| PATTERN,SIDE BAG,RH,RR (Ref # 56075G)     | 56075-1480  | 1        |
| PATTERN,WHEEL,GREEN,6X1310 (Ref # 56075H) | 56075-1481  | 1        |
| RIM STRIPE APPLICATOR (Ref # 57001)       | 57001-1752  | 1        |