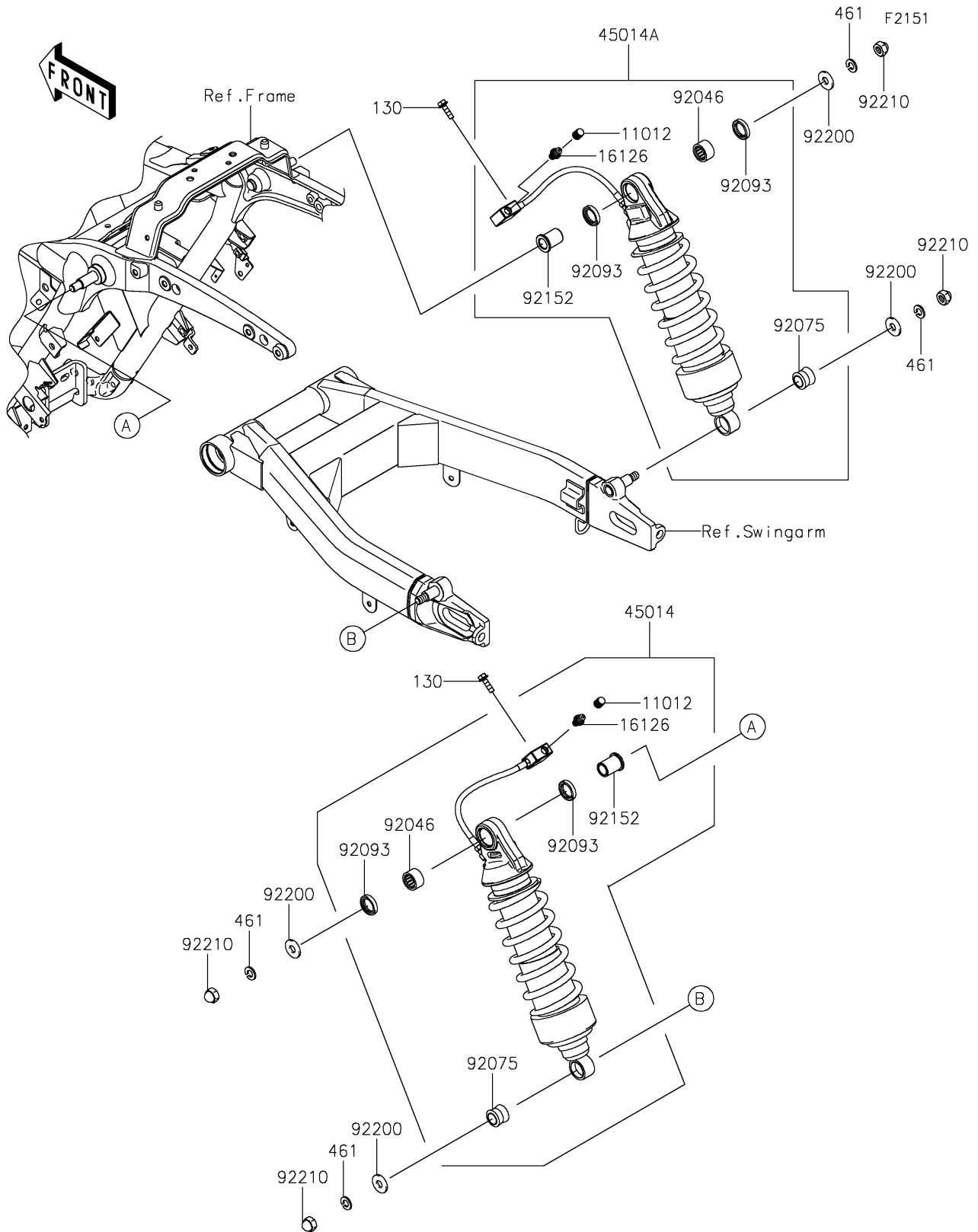


2016 Vulcan® 1700 Vaquero® ABS PARTS DIAGRAM

Suspension/Shock Absorber



2016 Vulcan® 1700 Vaquero® ABS PARTS LIST

Suspension/Shock Absorber

ITEM NAME	PART NUMBER	QUANTITY
CAP (Ref # 11012)	11012-1283	1
BOLT-FLANGED,6X25 (Ref # 130)	130AA0625	1
VALVE,AIR (Ref # 16126)	16126-0013	1
SHOCKABSORBER,LH (Ref # 45014)	45014-0317	1
SHOCKABSORBER,RH (Ref # 45014A)	45014-0318	1
WASHER-SPRING,10MM (Ref # 461)	461S1000	1
BEARING-NEEDLE (Ref # 92046)	92046-1296	1
DAMPER,SHOCKABSORBER (Ref # 92075)	92075-1387	1
SEAL (Ref # 92093)	92093-1552	1
COLLAR (Ref # 92152)	92152-1336	1
WASHER,10.5X26X2.5 (Ref # 92200)	92200-1565	1
NUT,CAP,10MM (Ref # 92210)	92210-1128	1