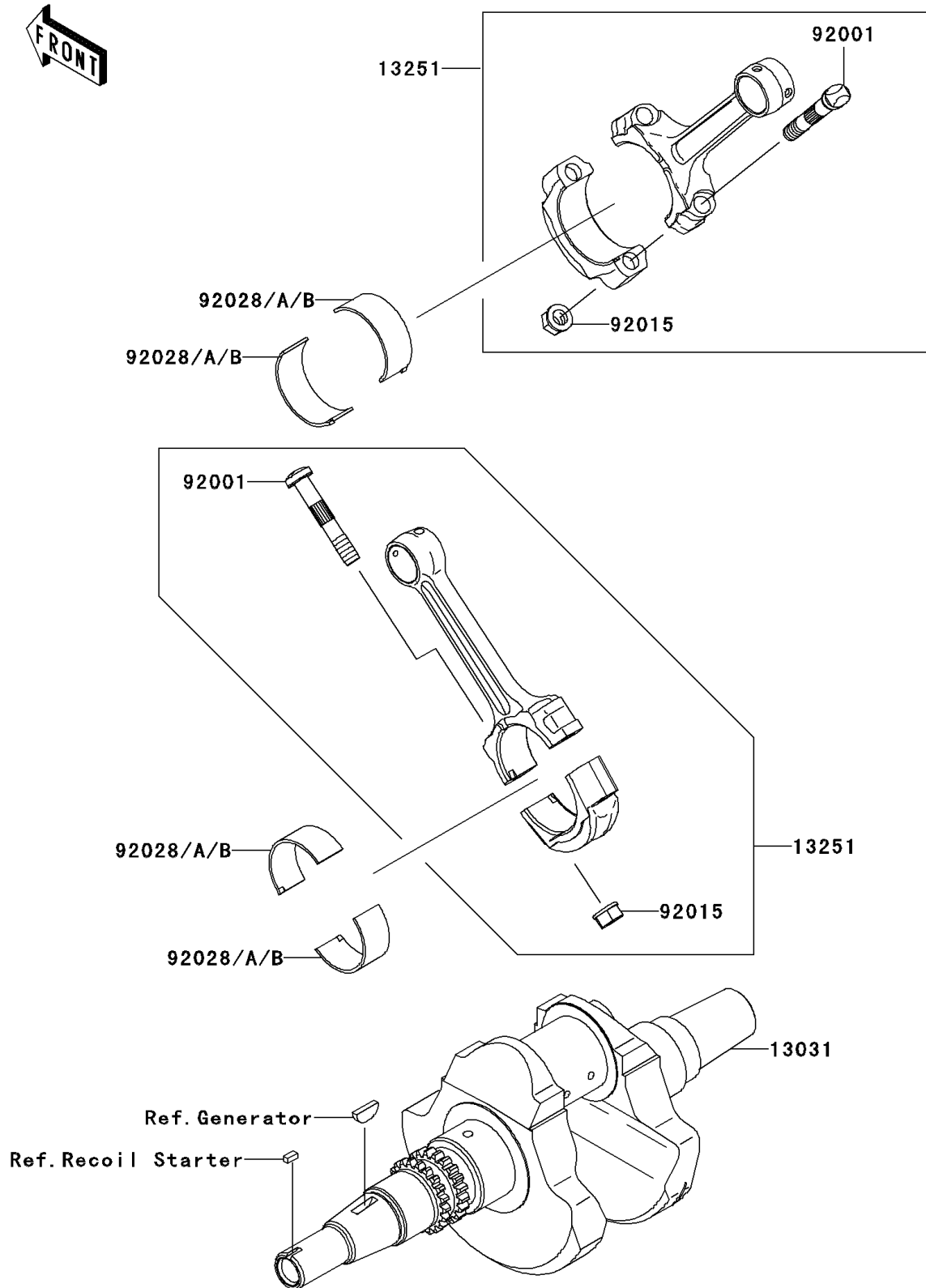


2004 Prairie® 700 4x4 Hardwoods® Green HD™ PARTS DIAGRAM

Crankshaft

E1321



2004 Prairie® 700 4x4 Hardwoods® Green HD™ PARTS LIST

Crankshaft

ITEM NAME	PART NUMBER	QUANTITY
CRANKSHAFT-COMP (Ref # 13031)	13031-0030	1
ROD-ASSY-CONNECTING (Ref # 13251)	13251-1143	1
BOLT,CONNECTING ROD (Ref # 92001)	92001-1980	1
NUT,FLANGED,8MM (Ref # 92015)	92015-1311	1
BUSHING,CONNECTING ROD,GREEN (Ref # 92028)	92028-1961	1
BUSHING,CONNECTING ROD,YELLOW (Ref # 92028A)	92028-1962	1
BUSHING,CONNECTING ROD,BROWN (Ref # 92028B)	92028-1963	1