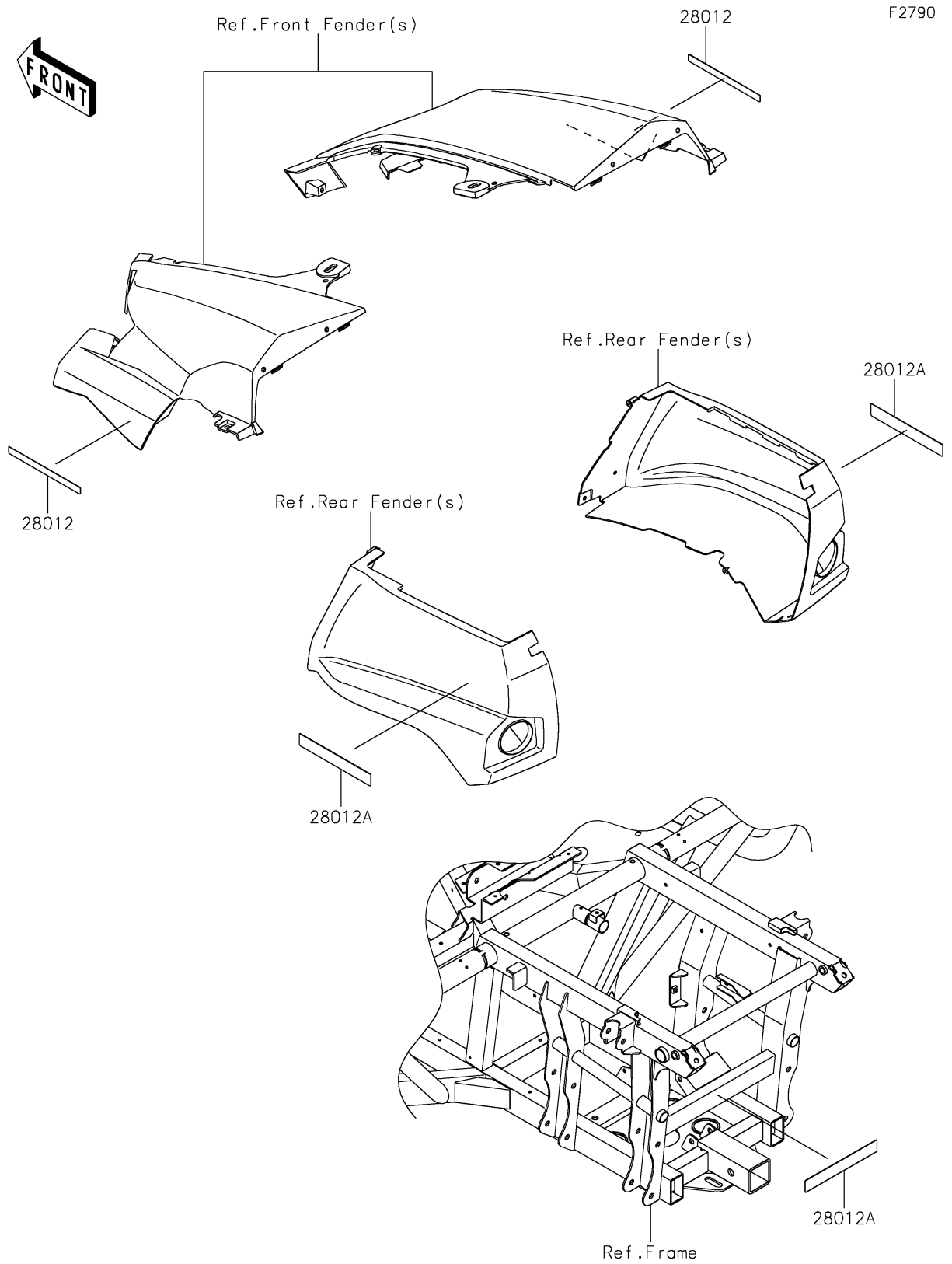


## 2019 Teryx® LE PARTS DIAGRAM

Reflectors(CN)



## 2019 Teryx® LE PARTS LIST

Reflectors(CN)

ITEM NAME	PART NUMBER	QUANTITY
REFLECTOR-REFLEX,FR (Ref # 28012)	28012-0014	1
REFLECTOR-REFLEX,RR,RED (Ref # 28012A)	28012-0023	1