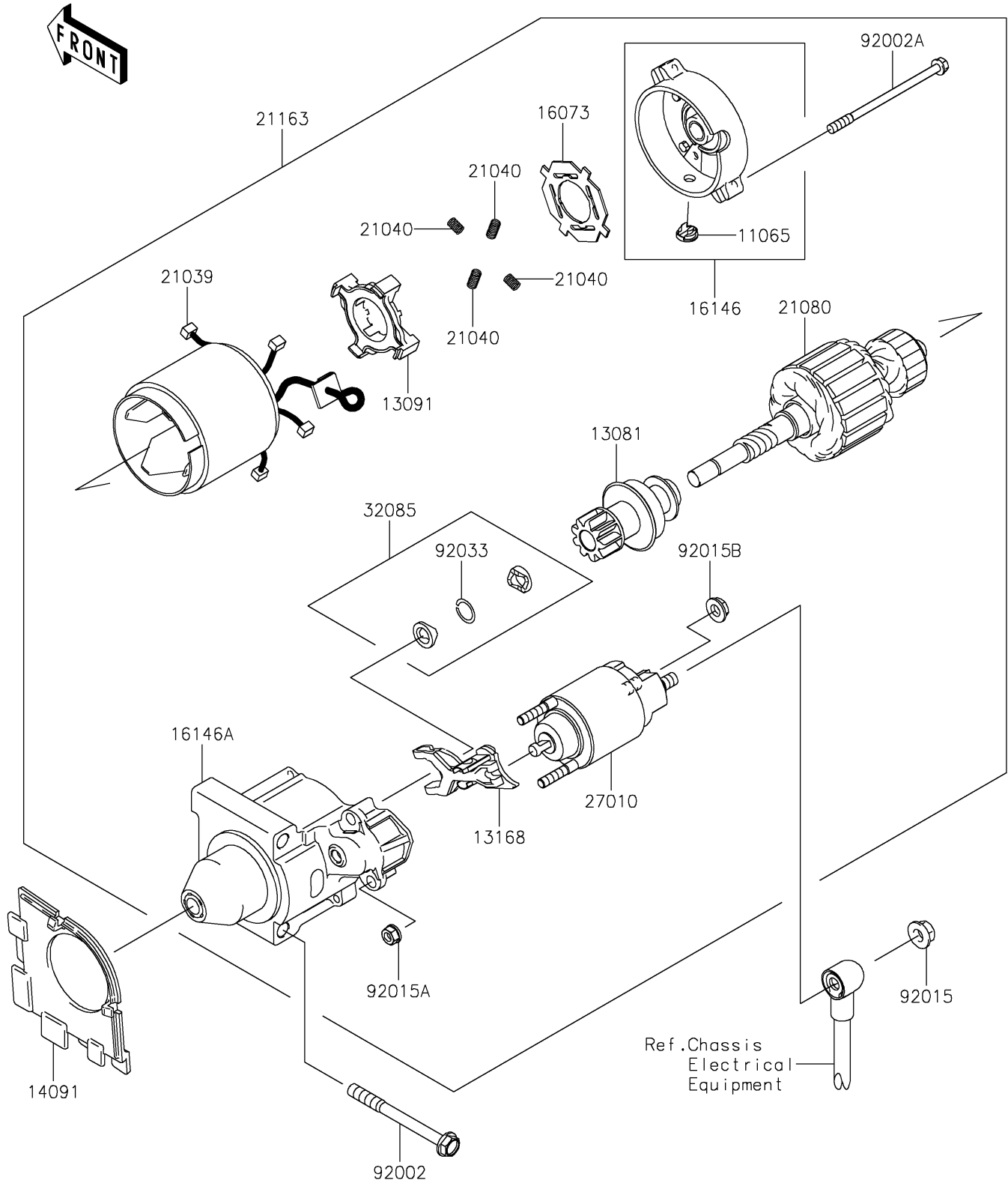


## 2019 MULE SX™ 4x4 XC (CAMO)(FI) PARTS DIAGRAM

Starter Motor

E1840



## 2019 MULE SX™ 4x4 XC (CAMO)(FI) PARTS LIST

Starter Motor

| ITEM NAME                      | PART NUMBER | QUANTITY |
|--------------------------------|-------------|----------|
| CAP (Ref # 11065)              | 11065-2118  | 1        |
| CLUTCH-ASSY (Ref # 13081)      | 13081-2227  | 1        |
| HOLDER,BRUSH (Ref # 13091)     | 13091-2068  | 1        |
| LEVER,SHIFT (Ref # 13168)      | 13168-2148  | 1        |
| COVER (Ref # 14091)            | 14091-7038  | 1        |
| INSULATOR (Ref # 16073)        | 16073-2098  | 1        |
| COVER-ASSY,END (Ref # 16146)   | 16146-7016  | 1        |
| COVER-ASSY (Ref # 16146A)      | 16146-7025  | 1        |
| BRUSH (Ref # 21039)            | 21039-2059  | 1        |
| SPRING-BRUSH (Ref # 21040)     | 21040-2052  | 1        |
| ARMATURE (Ref # 21080)         | 21080-2058  | 1        |
| STARTER-ELECTRIC (Ref # 21163) | 21163-7028  | 1        |
| SWITCH (Ref # 27010)           | 27010-7005  | 1        |
| STOPPER (Ref # 32085)          | 32085-2097  | 1        |
| BOLT,8X83 (Ref # 92002)        | 92002-1794  | 1        |
| BOLT (Ref # 92002A)            | 92002-2277  | 1        |
| NUT,FLANGED,8MM (Ref # 92015)  | 92015-1406  | 1        |
| NUT (Ref # 92015A)             | 92015-2146  | 1        |
| NUT (Ref # 92015B)             | 92015-2147  | 1        |
| RING-SNAP (Ref # 92033)        | 92033-2081  | 1        |