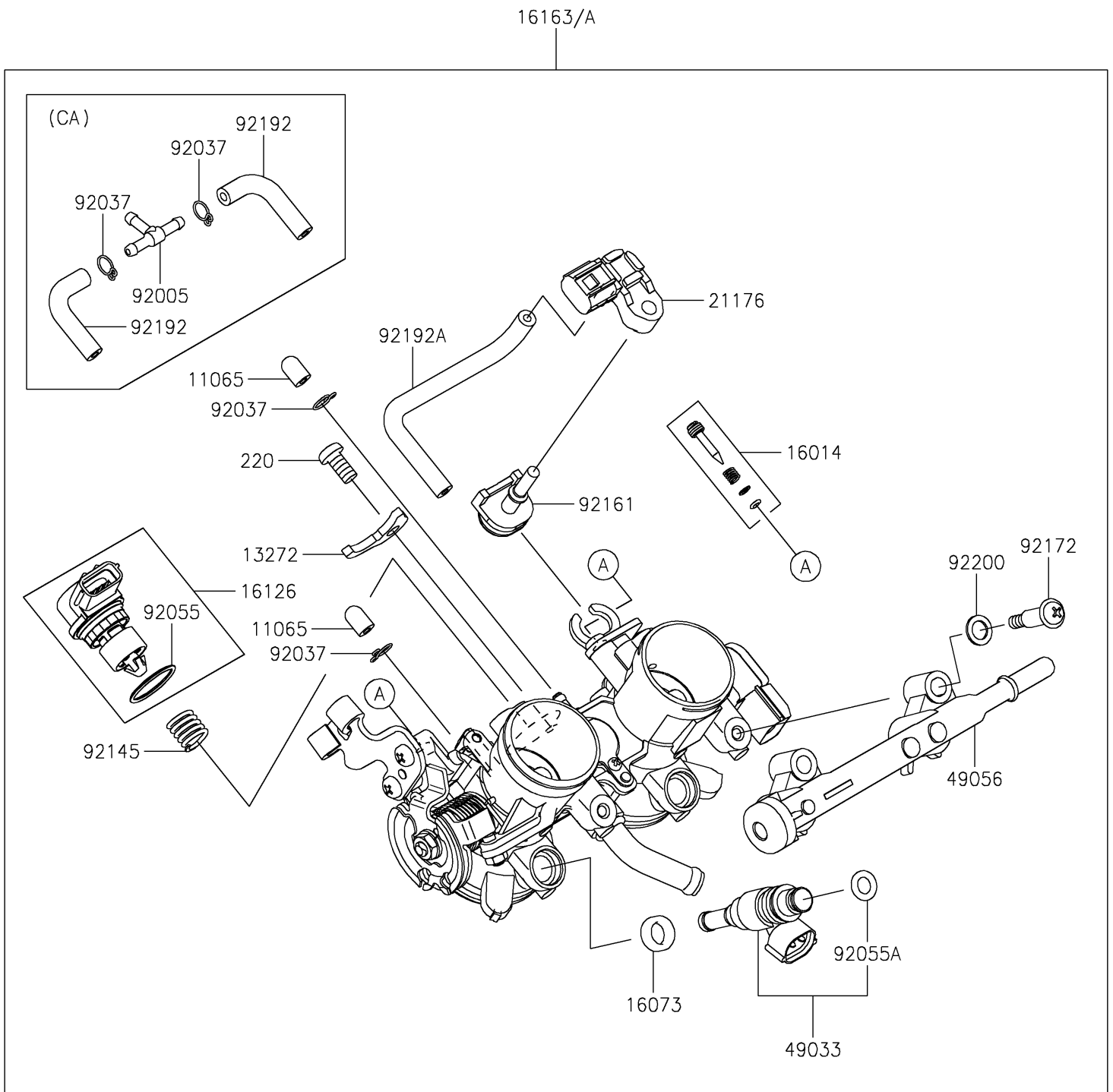


## 2018 NINJA® 400 ABS PARTS DIAGRAM

Throttle

E1510



## 2018 NINJA® 400 ABS PARTS LIST

Throttle

ITEM NAME	PART NUMBER	QUANTITY
PLATE (Ref # 13272)	13272-2558	1
SCREW-PILOT AIR (Ref # 16014)	16014-0022	1
INSULATOR (Ref # 16073)	16073-0866	1
VALVE,ISC (Ref # 16126)	16126-0748	1
THROTTLE-ASSY (Ref # 16163)	16163-0922	1
SENSOR,PRESSURE (Ref # 21176)	21176-0111	1
SCREW-PAN-CROS,6X12 (Ref # 220)	220AA0612	1
NOZZLE-INJECTION (Ref # 49033)	49033-0047	1
PIPE-INJECTION (Ref # 49056)	49056-0050	1
FITTING (Ref # 92005)	92005-1380	1
RING-O (Ref # 92055)	92055-0907	1
RING-O,REGULATOR-FUEL (Ref # 92055A)	92055-2187	1
SPRING (Ref # 92145)	92145-1826	1
DAMPER (Ref # 92161)	92161-0673	1
SCREW (Ref # 92172)	92172-1257	1
TUBE,3.5X7.5X55 (Ref # 92192)	92192-1349	1
TUBE (Ref # 92192A)	92192-1906	1
WASHER (Ref # 92200)	92200-3807	1